



Tooling & Accessories
R280 / R282



Contents

TOOLING

Joule effect soldering devices 17-4
Stripping tools 17-4 and 17-7
Point gauges 17-4
Soldering 17-5
Installation tools 17-5 to 17-6
Cassettes 17-7
Kits for semi-rigid 17-8 to 17-10
Kit for microporous semi-rigid cables 17-11
Kits for flexible cables 17-11
Crimp tools 17-12 to 17-13
Torque wrench 17-14
Insertion and extraction tools 17-15 to 17-17

ACCESSORIES

Sliding contacts 17-17
Glass beads and EMI gaskets 17-18
Insulated washers 17-19
Solder tag 17-20
Panel sealing gaskets 17-20
Cable panel feedthrough 17-20
Cable terminations 17-21
Heatshrink sleeves 17-22
Cable boots 17-22
Panel drilling 17-23

SECTION 17 TABLE OF CONTENTS

Joule effect soldering devices, tools and pointer gauge

JOULE EFFECT SOLDERING DEVICES

Compliant with European standards n° 89/336/CEE and 73/23/CEE (electromagnetic compatibility and low voltage). It allows to solder:

- Center contacts and bodies to semi-rigid cables
- Center contacts to flexible cables
- Solder pot receptacles



Photo 1



Photo 2

Part number	Photo	Power	Delivered with
R282 800 000	1	80 Watts	Pliers + electrode: R282 800 020
R282 800 001	2	200 Watts	Pliers: R282 800 011 Electrode: R282 800 022

STRIPPING TOOL FOR SEMI-RIGID CABLE

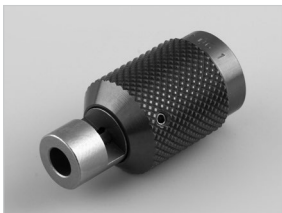
This easy to use tool removes the cable's outer conductor and dielectric leaving the center conductor stripped to the proper length. It is supplied with a removal blade which can be ordered separately whenever required. Please specify P/N R282 055 000 when ordering the replacement blade, including adjustment gauge and male hex key.



Cable group	Cable group dia.	Part number
RG405	.085"	R282 051 000
RG402	.141"	R282 053 000
RG401	.250"	R282 054 000

POINTER GAUGE FOR SEMI-RIGID CABLE

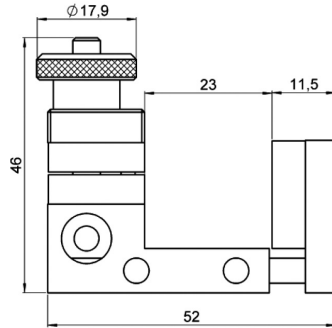
Specially designed for sharpening the end of the cable's center conductor, this sharpening tool-gauge is supplied with a removable blade which can be ordered separately whenever required.



Cable group	Cable group dia.	Part number	Stripping length setting	Replacement blade
RG402	.141"	R282 066 000	2.17 (.085)	R282 056 118
		R282 067 000	3.17 (.125)	
RG405	.085"	R282 062 010	1.30 (.051)	R282 056 085
		R282 063 000	3.17 (.125)	

Soldering and installation tools

SOLDERING FIXTURE (JIG)



Cable group	Cable group dia.	Part number
RG405 / RG402 / RG401	.085"/.141"/.250"	R282 740 000
RG402 / RG401	.141"/.250"/.350"	R282 740 030

DRILLING TOOL FOR GLASS BEAD MOUNTING



Part number	Dia. (mm)
R282 080 000	1.98

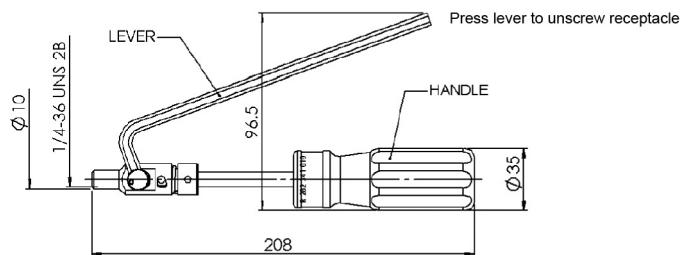
Must be used with machine tool to obtain the required concentricity and dimensions.

SCREW TAP FOR HERMETIC RECEPTACLE SMA, BMA, ...



Part number	Dimension
R282 082 000	1/4 36 UNS 2B

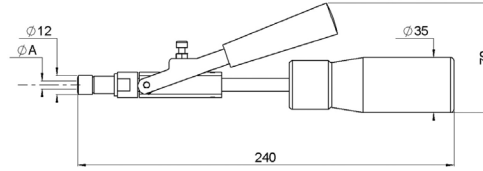
INSTALLATION TOOL FOR SMA SCREW-ON FEMALE RECEPTACLES



Part number	Coupling torque (N/cm)
R282 341 012	280
R282 341 010	190

Installation tools

INSTALLATION TOOL FOR BMA MALE RECEPTACLES R128 639 XXX



Part number	Coupling torque (N/cm)	Dimension A mm (inch)
R282 340 000	280	5.3 (.209)

TORQUE SCREWDRIVER FOR SMP THREAD-IN RECEPTACLES

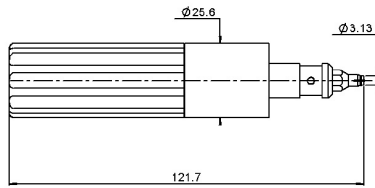
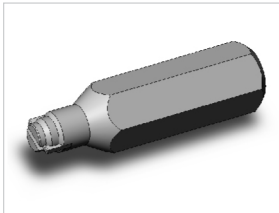


Fig. 1

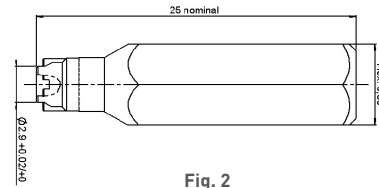


Fig. 2

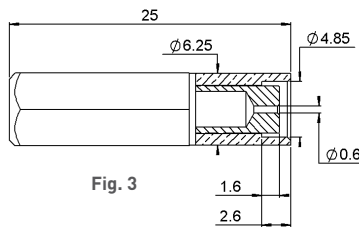


Fig. 3

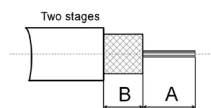
Part number			Note	Coupling torque
With bit (fig.1)	Bit only (fig.2)	Bit only (fig.3)		
R282 339 001	R282 360 001		Full detent	7.96 lbf.inch (90cmN)
	R282 360 002		Limited detent	
	R282 360 003		Smooth bore	
R282 339 005		R282 360 004	For SMP-LOCK™ no hermetic	5.3 lbf.inch (60cmN)
R282 339 004		R282 360 004	For hermetic SMP-LOCK™	

TIGHTENING TOOL



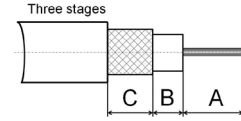
Part number
R282 202 000

A new universal plier helps facilitate the tightening of coupling nuts. The removable inserts are made of plastic in order to avoid damage on the knurling (for ≈ 130 Ncm).



Stripping tools

STRIPPING TOOL R299 520 000 FOR CABLE DIA. 2.5 TO 8mm (RG58, RG59, RG62) (includes standard cassette R299 522 000)



1) Dimension A in accordance with the plug stripping dimensions (not defined by the tool)

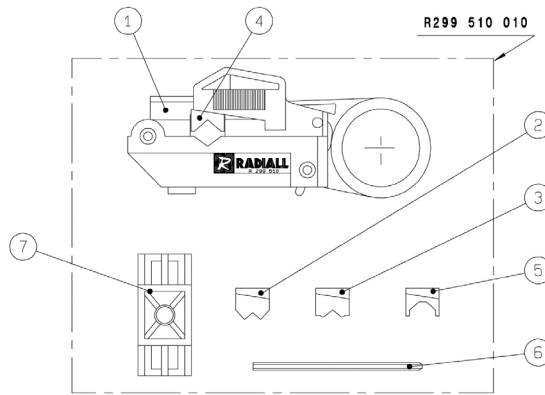
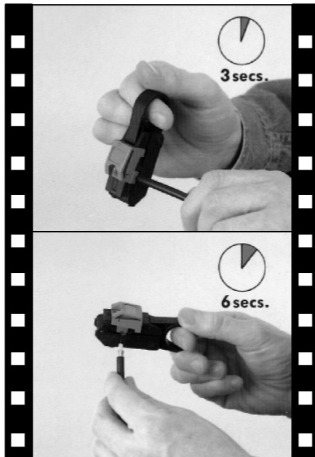
Part number	Designation	Stripping dimension
R299 520 000	Fixed-blade coaxial cable stripping tool for cable dia. 2.5 to 8.0 mm [.1" to .315"] Blades can be adjusted to precise cutting depths. Interchangeable blade cassette holders eliminate need to readjust blades	
R299 522 000	Adjustable blade, 2 or 3 stages	adjustable
R299 521 011	Replacement blade red, 2 stages	B = 6mm
R299 521 012	Replacement blade green, 3 stages	B = 5.1mm C = 7.1mm
R299 521 013	Replacement blade blue, 2 stages	B = 6.5mm
R299 521 014	Replacement blade yellow, 2 stages	B = 12mm
R299 521 015	Replacement blade grey, 2 stages	B = 3.9mm
R299 521 017	Replacement blade brown, 3 stages	B = 3.5mm C = 7.5mm

STRIPPING TOOL R299 550 000 FOR CABLE DIA. 2.5 TO 11mm



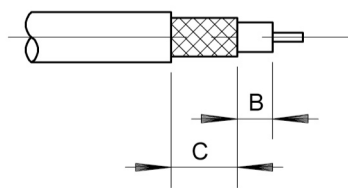
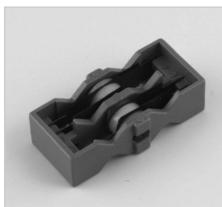
Part number	Designation
R299 550 000	Cable stripping range 2.5 to 11mm [.0984" to .4331"] Spring Tension - Squeeze to Open, Insert Cable & Rotate Around Jacket Delivers Smooth Consistent Strips. 9 Position Adjustable Depth Blade

KIT R299 510 010: STRIPPING TOOL FOR 2.5 TO 7.6mm DIA. FLEXIBLE CABLES (without cassette)



Part number	Designation
R299 510 010	STRIPPING TOOL 1 - Stripping tool 2 - White V guide for dia ext. cable 2.5 to 3 mm 3 - Red V guide for dia ext. cable 3 to 5 mm 4 - Blue V guide for dia ext. cable 5 to 6.4 mm 5 - Yellow V guide for dia ext. cable 6.4 to 7.6 mm 6 - Wrench 7 - Gauge

CASSETTES FOR R299 510 010



Part number	Designation	Length B (mm)	Length C (mm)
R299 511 013	Orange stripping cassette	3.5	6.5
R299 511 016	White stripping cassette	1.5	6.3
R299 511 011	Green stripping cassette	6.0	6.9
R299 511 012	Yellow stripping cassette	2.0	8.0

Kits for semi-rigid cables

R282 102 000: Bending kit



N°	Part number	Designation	Old cross reference	Mark
1	R282 750 000	Bending	730 11 000	[09]
2	R282 751 050	Bending gauge .085"	730 11 040	[02]
3	R282 751 051	Bending gauge .085"	730 11 030	[01]
4	R282 751 070	Bending gauge .141"	730 11 060	[04]
5	R282 751 080	Bending gauge .250"	730 11 070	[05]
6	R282 751 071	Bending gauge .141"	730 11 050	[03]

KIT: Stripping + sharpening for semi-rigid cables



R282 114 125: Stripping 3.17 (.125) + sharpening for .085" semi-rigid cables

N°	Part number	Designation
1	R282 051 000	Stripping tool .085"
2	R282 055 000	Replacement stripping blade
3	R282 864 110	Blade installation gauge .085"
4	R282 344 150	Hex 1.5 (.059)
5	R282 063 000	Sharpening and length-setting tool 3.17 (.125") long on .085"
6	R282 056 085	Replacement sharpening blade
7	R282 344 127	Hex 1.27 (.05)

Kits for semi-rigid cables

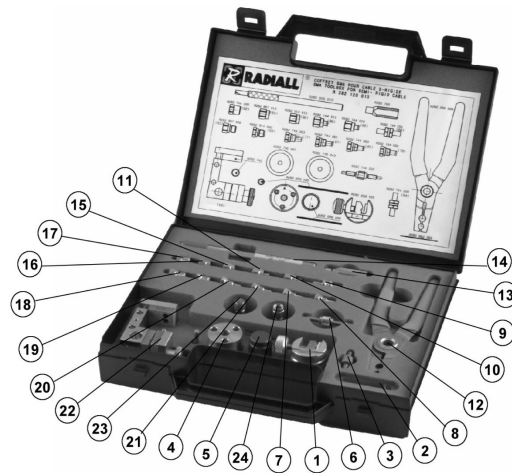
R282 114 162: Stripping 2.17 (.085) + sharpening for .141" semi-rigid cables

N°	Part number	Designation
1	R282 053 000	Stripping tool .141"
2	R282 055 000	Replacement stripping blade
3	R282 864 120	Blade installation gauge .141"
4	R282 344 150	Hex 1.5 (.059)
5	R282 066 000	Sharpening and length-setting tool 2.17 (.085") long on .141"
6	R282 056 118	Replacement sharpening blade
7	R282 344 127	Hex 1.27 (.05)

R282 114 165: Stripping 3.17 (.125) + sharpening for .141" semi-rigid cables

N°	Part number	Designation
1	R282 053 000	Stripping tool .141"
2	R282 055 000	Replacement stripping blade
3	R282 864 120	Blade installation gauge .141"
4	R282 344 150	Hex 1.5 (.059)
5	R282 067 000	Sharpening and length-setting tool 3.17 (.125") long on .141"
6	R282 056 118	Replacement sharpening blade
7	R282 344 127	Hex 1.27 (.05)

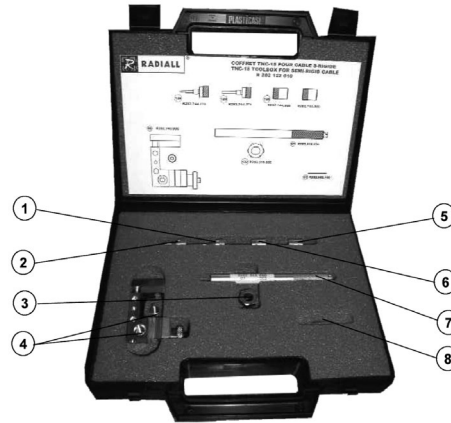
R282 120 010: SMA solder kit (suitable for commercial and standard SMA)



N°	Part number	Designation	Mark
1	R282 059 100	Cable holder	
2	R282 862 060	Solder gauge (cab .085": mark 61, cab .141": mark 62)	
3	R282 744 200	Soldering locator tool for right angle SMA	(84)
4	R282 053 100	Stripping tool	
5	R282 066 100	Trimmer	
6	R282 744 220	Soldering locator tool for center contact	
7	R282 744 060	Soldering locator tool for male SMA cable .085"	(85)
8	R282 744 062	Soldering locator tool for male SMA B cable .085"	(78)
9	R282 744 201	Soldering locator tool for right angle SMA B	(88)
10	R282 744 010	Soldering locator tool for female cable .085"	(80)
11	R282 744 011	Soldering locator tool for female cable .141"	(86)
12	R282 200 000	Retaining ring pliers	
13	R282 760 000	Retaining insert tool	
14	R282 915 010	Dielectric recess tool	
15	R282 914 010	Dielectric recess gauge for female	(92)
16	R282 857 010	Control gauge for female	(81)
17	R282 744 100	Soldering locator tool for male	(82)
18	R282 857 000	Control gauge for male	(83)
19	R282 914 000	Dielectric recess gauge for male	(93)
20	R282 744 063	Soldering locator tool for male SMA B cable .141"	(77)
21	R282 744 061	Soldering locator tool for male SMA cable .141"	(87)
22	R282 740 000	Soldering fixture	
23	R282 730 040	Dielectric insert tool + dielect plunger for female	
24	R282 730 043	Dielectric insert tool + dielect plunger for male	

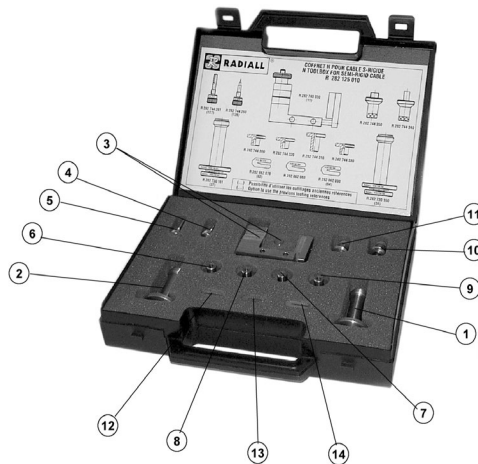
Kits for semi-rigid cables

R282 122 010: TNC 18 Ghz solder kit



N°	Part number	Designation	Mark
1	R282 744 271	Soldering locator tool for male	[128]
2	R282 744 270	Soldering locator tool for female	[129]
3	R282 370 020	Locking tool	[132]
4	R282 740 000	Soldering fixture	[10]
5	R282 744 000	Soldering locator tool for .085" cable	
6	R282 744 003	Soldering locator tool for .141" cable	[133]
7	R282 915 020	Dielectric recess tool	[97]
8	R282 862 100	Solder gauge	[63]

R282 125 010: Solder kit for N connectors

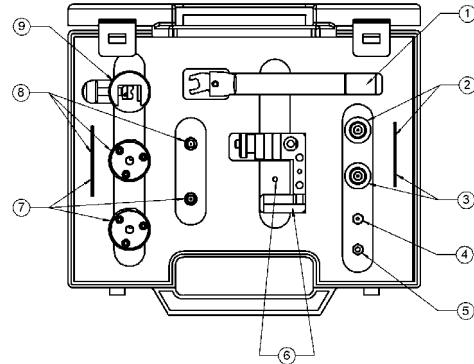


N°	Part number	Designation	Old cross reference	Mark
1	R282 730 160	.250" dielectric insertion tool + plunger for N jacks	730 25 007	[36]
2	R282 730 161	.141" dielectric insertion tool + plunger for N jacks	730 25 008	[37]
3	R282 740 030	Soldering fixture	730 15 022	[11]
4	R282 744 260	N soldering fixture for female centre contact	730 40 005	[126]
5	R282 744 261	N soldering fixture for male centre contact	730 40 006	[127]
6	R282 744 300	N soldering fixture for cable .085"		
7	R282 744 310	N soldering fixture for cable .141"		
8	R282 744 320	N soldering fixture for cable .141"		
9	R282 744 330	N soldering fixture for cable .250"		
10	R282 744 340	Soldering fixture for N plug cable .141"		
11	R282 744 350	Soldering fixture for N plug cable .250"		
12	R282 862 070	Solder gauge thickness 0.35 (.0138")	730 15 170	[62]
13	R282 862 080	Solder gauge thickness 0.45 (.0177")		
14	R282 862 090	Solder gauge thickness 0.70 (.0276")	730 15 180	[64]
15	R282 915 030	Dielectric recess tool for cable .141"		
16	R282 915 040	Dielectric recess tool for cable .250"		

Kit for microporous semi-rigid cables

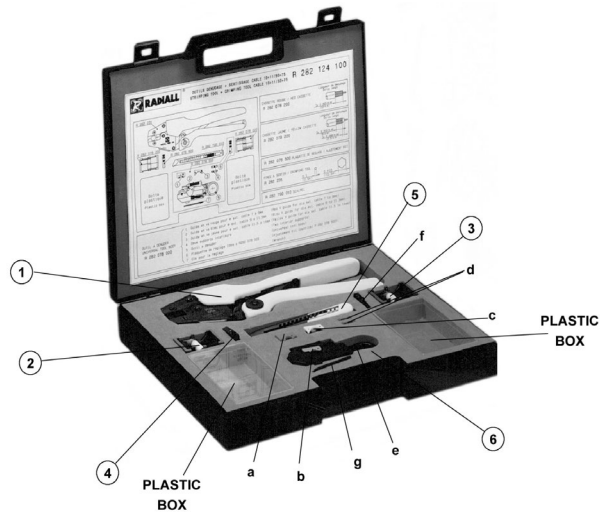
R282 120 220: Solder kit for SMA 2.9

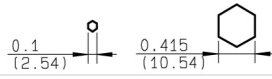
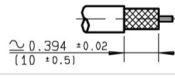
No.	REFERENCE	DESIGNATION
1	R282 323 000	Torque wrench
2	R282 061 030	Pointer gauge for cable .085 MP
3	R282 067 030	Pointer gauge for cable .141 MP
4	R282 744 190	Soldering positioner cable .085
5	R282 744 192	Soldering positioner cable .141
6	R282 740 000	Soldering assembly jig
7	R282 053 030	Stripping tool cable .141 MP
8	731 22 034A	Stripping tool cable .085 MP
9	R282 059 010	Cable holder



Kits for flexible cables

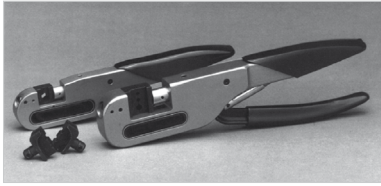
**R282 124 100:
Stripping + crimping
kit for cables 10+11/50/s+d**



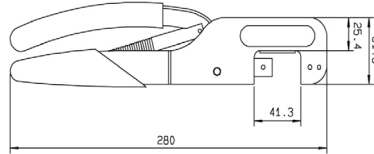
N°	Part number	Designation
1	R282 231 000	Crimping tool 
2	R282 078 200	Green stripping cassette 
3	R282 078 220	Green stripping cassette
4	R282 078 500	Adjustment bit
5	R282 078 000	Universal tool body a - Red V guide for dia ext. cable 7 to 9 mm b - Blue V guide for dia ext. cable 9 to 11.5 mm c - Yellow V guide for dia ext. cable 11.5 to 14 mm d - Two interior supports e - Universal tool body f - Adjustment bit (Identical R282 078 500) g - Wrench

Inside the box, every part number can be ordered separately.

Crimp tools



MIL CRIMP TOOL (M22520/5-01) R282 293 000 (dies not included)



DIES FOR R282 293 000



Cable group	Cable group dia.	Part number			
		Dieset only	Tool complete with dies		
RG178 / RG196 / RD178 / RG174 / RG316 / RG179	2/50/S+D - 2.6/50+75/S	R282 235 003	TA-0105	3.25 (.128)	2.67 (.105)
RG58 / RG141 / RG142 / RG223 / RG400	5/50/S - 5/50/D	R282 235 011		5.41 (.213)	1.73 (.068)
KX6-RG62	6/75 + 93	R282 235 013		6.48 (.255)	1.73 (.068)

CRIMP TOOL (dies included)

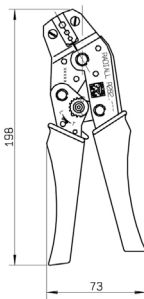


Fig. 1

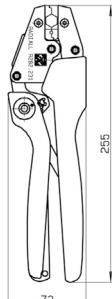


Fig. 2

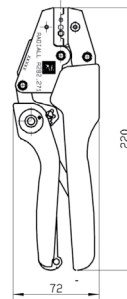


Fig. 3

Part number	Fig.	Cable group	Cable group dia.	Color of handles			
R282 211 000	1	.046"OD / .048"OD - RG178 / RG196 / .075"OD RG174 / RG316 / RF179	1/50+75 - 2/50/S+75 - 2.6/50/S+75	Red	4.52 (.178)	3.25 (.128)	2.67 (.105)
R282 223 000		RG122 / RG58 / RG62	4/50+75 - 5/50 - 6/75+93	Orange	6.48 (.255)	5.41 (.213)	1.73 (.068)
R282 227 000	3	RG6	8/75+95	Blue	8.23 (.324)		1.73 (.068)
R282 231 000	2	RG393 / RG214	10/50/D - 10.3/50/S - 11/50/D	Yellow	10.54 (.415)	2.54 (.1)	
R282 232 000	3	RD179 / mini RG159 / RG6	4.0/75/D-7/75D	Blue	6.7(.236)	5.4(.213)	Square 1.1(.043)
R282 234 000		RG59	6/75D	Black	6.98(.275)	6.48(.255)	Square 1.15(.0452)
R282 271 000		RG178 / RG174 / RG316 / RD316 / RG179 / RD179	2/50+75 - 2.6/50+75/S+D	Black	3.84 (.131)	3.25 (.128)	0.72* (.028)

* Square crimping die.

Crimp tools

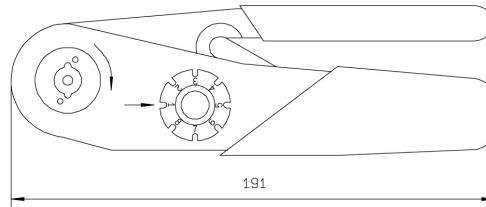
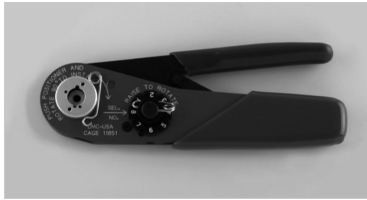
BNC TOOLKITS

Part number	Designation
R282 124 050 (50Ω)	1x R282 223 000 Crimp tool for cable diameter 5 or 6 mm. Hex.: 1.73/5.41/6.48 15x R141 082 161 BNC male, straight, crimp for RG58 1x R299 520 000 Strip tool 1x R299 521 017 Replacement blade brown, 3 step for RG58, RG59

Part number	Designation
R282 124 075 (75Ω)	1x R282 223 000 Crimp tool for cable diameter 5 or 6 mm. Hex.: 1.73/5.41/6.48 15x R142 085 161 BNC male, straight, crimp for RG59 1x R299 520 000 Strip tool 1x R299 521 017 Replacement blade brown, 3 step for RG58, RG59



CRIMP TOOL R282 281 000 FOR CENTER CONTACTS



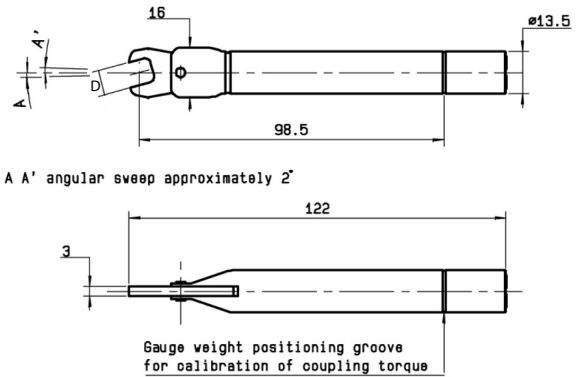
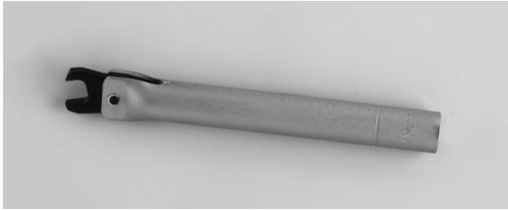
LOCATOR TOOL FOR CENTER CONTACT CRIMP TOOL R282 281 000



Part number	Note
R282 967 030	For pin contact for socket contact
R282 983 000	

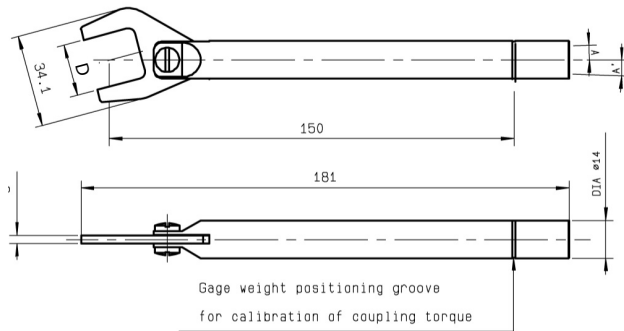
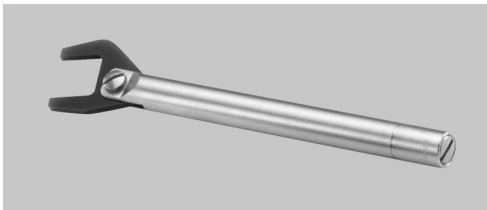
Torque wrench

TORQUE WRENCH 4 TO 10mm



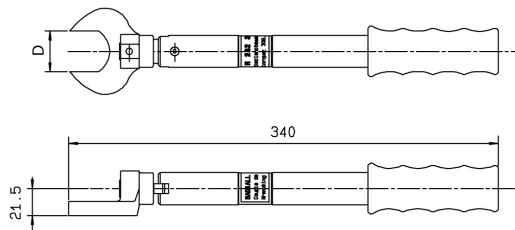
Part number	Across flats D (mm)	Coupling torque (N.cm)
R282 318 000	6 [.236]	30
R282 319 000	6.35 [.250]	60 to 80
R282 320 000		80 to 120
R282 320 030	8 [.315]	60
R282 320 031		70
R282 323 000	6.5 [.256]	80 to 120
TA-0456	8 [.315]	395 [35 lbf-in]
TA-0398	5.5 [.218]	34 [48 oz-in]
TA-0432	4.0 [.156]	21 [30 oz-in]
TA-0436	5.5 [.218]	68 [96 oz-in]

TORQUE WRENCH 10 TO 21 MM



Part number	Across flats D (mm)	Coupling torque (N.cm)
R282 300 000	14 [.550]	265
R282 303 020	18 [.710]	170
R282 303 000		160
R282 303 010	19 [.748]	130
R282 303 230	21 [.827]	400

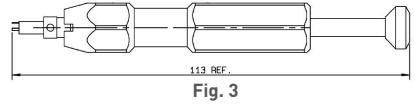
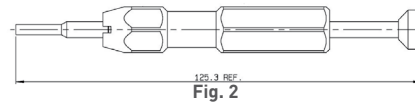
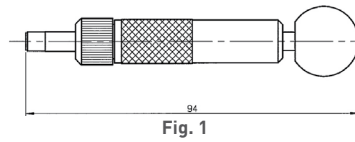
TORQUE WRENCH 32 MM



Part number	Across flats D (mm)	Coupling torque (N.cm)
R282 303 500	32 [1.260]	3500

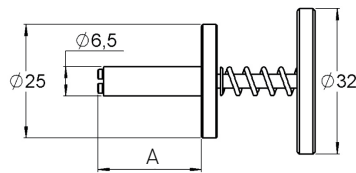
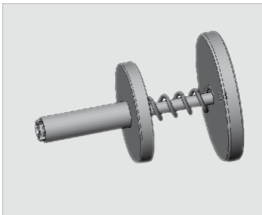
Insertion and extraction tools

EXTRACTION TOOLS FOR BMA & COAXIPACK 2



Part number	Fig.	Use	Note
R282 918 000	1		For removing BMA floating plug
R282 918 150	1		For removing SMP snap-in R222 223 XXX
R282 920 010	2	U01	For male COAXIPACK 2 inserts
R282 920 100	3	U02	For female COAXIPACK 2 inserts

SMPM/SMP EXTRACTION TOOLS FOR ADAPTERS



Part number	A dimension	Adapters
R282 918 200	23mm	SMPM R201 705 XXX
R282 918 120	150mm	SMP R222 705 XXX

SMPM/SMP/SMP-LOCK EXTRACTION TOOLS (for right angle cable plugs)

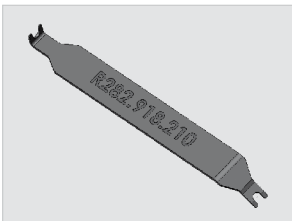
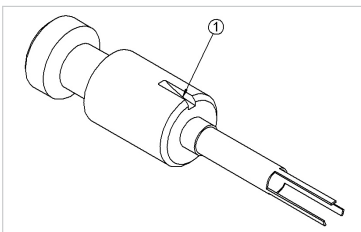


Fig. 1

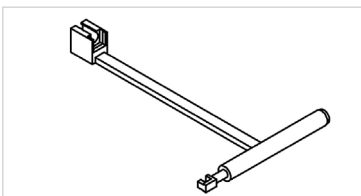
Part number	Fig.	Plugs
R282 918 160	1	SMP R222 15X XXX
R282 868 300	1	SMP-LOCK R222 LXX XXX
R282 918 210	1	SMPM R201 15X XXX

COAXIPACK 2 EXTRACTION TOOL



Part number
R282 920 120

HDC 43 INSERTION & EXTRACTION TOOL



Part number
R282 868 201

Extraction tools

UMP EXTRACTION TOOL



Photo 1

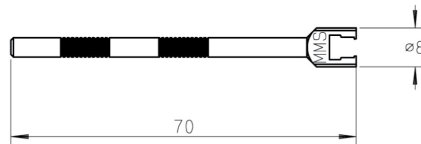
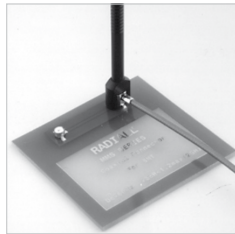


Photo 2

Part number	Photo	Note	To disconnect
R282 867 020	1	Axial disconnection	H2
R282 867 030	2	Lateral disconnection	H2, H2.6 & H3

This tool only applies to lock version. No tool needed for UMP snap of slide versions

MMS AND MMT EXTRACTION TOOL



Part number	Series
R282 868 040	MMT
R282 868 100	MMS

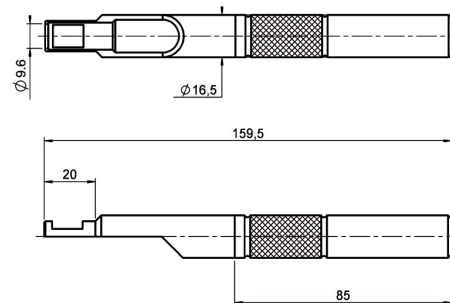
Materials and finish: black anodized aluminium. The anodization allows the electric insulation and protects from the oxidization.

MML EXTRACTION TOOLS



Part number	To disconnect	Packaging
R302 309 000	H2.5 & H2.0	Unit
R302 159 000	H1.5	

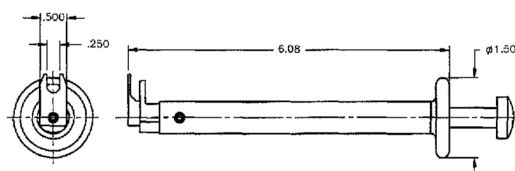
QMA EXTRACTION TOOL (optional for high density applications)



Part number
R282 868 230

This tool can be used with either straight or right angle connectors.

QRE EXTRACTION TOOL



Part number
TA-0457

This tool can be used with either straight or right angle connectors.

Extraction tools and sliding contacts

EXTRACTION TOOL FOR RIGHT ANGLE MCX AND MMBX CONNECTORS AND CAP MOUNTING



Part number	Flat dimension: inch (mm)
R282 868 000	.276 (7)

This tool has two functions
 - Fitting cover on right angle connectors
 - Extraction of these models after coupling

OPTIONAL SLIDING CONTACTS AND INSULATORS

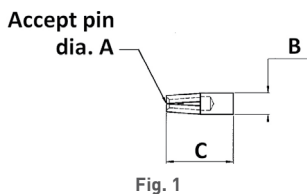


Fig. 1

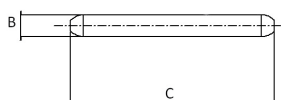


Fig. 2

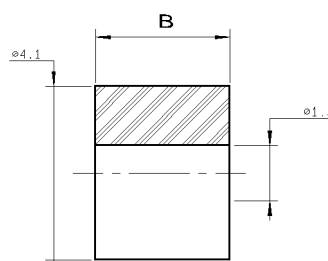


Fig. 3

Type	Part number	Fig.	Dimensions (mm)			Packaging
			A	B	C	
Socket	R280 181 000	1	0.9	1.28	14.8	10 pieces
	R280 469 000		0.3	0.85	3.43	
	R280 469 010		0.46			
	R280 470 000		0.28/0.38	0.77	1.84	
	R280 470 050		0.46			
Pin	R280 473 100	2		0.30	2.80	Unitary
	R280 473 130			0.5	5.6	
Insulator	R280 467 000	3		1.57		10 pieces
	R280 468 000			3.17		
	R280 468 120			10.1		
	R280 468 140			6.38		

CONTACTS FOR FIELD REPLACEABLE RECEPTACLES, DIAMETER 0.93mm (.037")

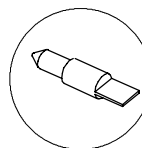
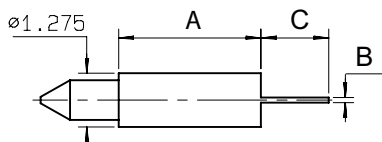
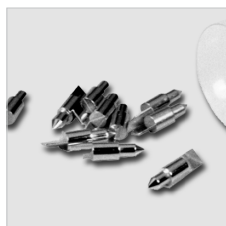


Fig. 1

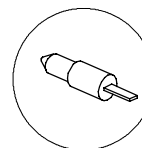


Fig. 2

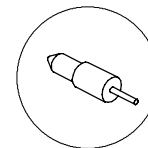
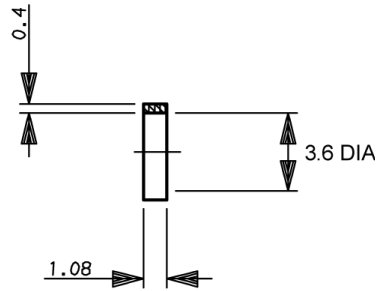


Fig. 3

Part number	Fig.	Termination	A	B	C	Packaging
R280 461 000	1	Tab	3.37	0.13	1.6	10 pieces
R280 461 200	2	Tab special	3.37	0.13 x W0.51	1.6	
R280 461 210	1	Tab	10.3	0.13	1.6	
R280 462 000	3	Cylindrical	1.77	dia 0.25	1.57	
R280 463 000			3.37			
R280 465 000	2	Tab special	0.2	0.13 x W0.60	0.9	

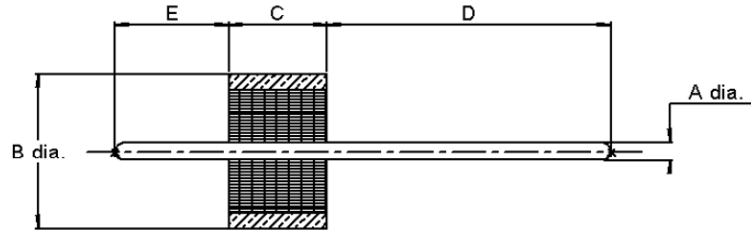
Glass beads and EMI gaskets

EMI/RFI GASKET



Part number	Packaging
R280 510 000	10 pieces

GLASS BEAD/HERMETIC SEALS

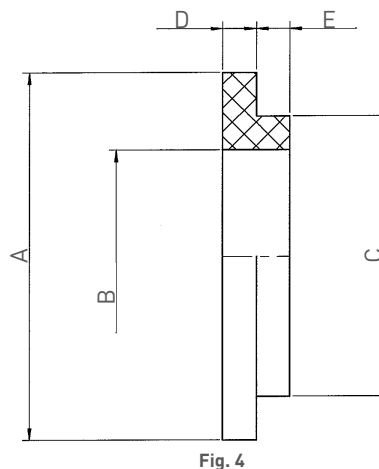
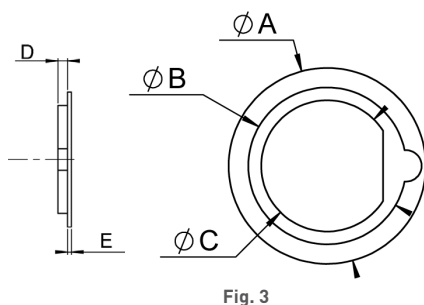
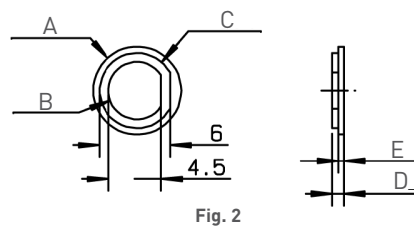
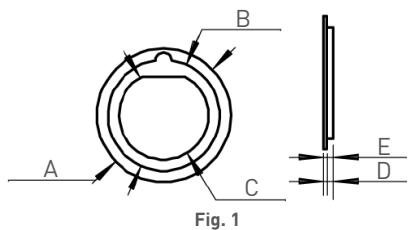


Hermeticity guaranteed at 10^{-8} atm.cm³/s

Part number	Dimensions (mm)					Packaging	
	A	B	C	D	E		
R280 751 000	0.30 [.012]	2.52 [.099]	1.60 [.063]	4.57 [.180]	1.83 [.072]	1	
R280 751 080				1.3 [.051]		100	
R280 751 350				4.57 [.180]		1.83 [.072]	1
R280 752 000	0.38 [.015]	2.50 [.098]	1.56 [.061]	1.95 [.076]	1.59 [.062]	100	
R280 752 020				1.3 [.051]			
R280 755 000	0.46 [.018]	2.85 [.112]	1.60 [.063]	4.57 [.180]	1.83 [.072]	1	
R280 755 040							
R280 757 060	0.50 [.109]	4 [.157]	1.77 [.070]	1.78 [.070]	2.03 [.080]	100	
R280 757 070				5.82 [.230]		1.93 [.076]	1
R280 757 080				1.78 [.070]		1.93 [.076]	1
R280 760 000	0.30 [.012]	1.93 [.076]	1.40 [.055]	0.74 [.029]	1.04 [.041]	5	
R280 760 040				1.10 [.043]		1.72 [.068]	100
R280 760 050				1.10 [.043]		1.72 [.068]	

Insulated washers

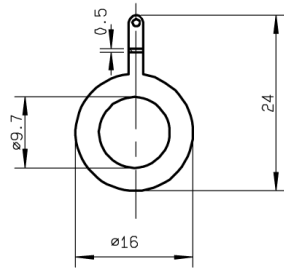
INSULATED WASHERS



Part number	Fig.	To be used on (partial list)		Dimensions (mm)					Material	Packaging
				A	B	C	D	E		
R280 907 000	1	R141 304 000 R141 323 000 R141 324 000 R141 327 000 R141 332 161 R141 332 500	R141 338 000 R141 730 000 R141 753 000 R142 329 000 R142 334 161 R142 720 000	19.06	15.88	12.7	1.02	0.44	Nylon	100 sets (200 washers)
99762	3	R142 306 500 R142 306 503	R141 301 000 R141 303 503 R141 306 000 R141 306 503 R141 308 000	14.3	11.45	9.58	1	0.4		
R280 902 000	2	R142 562 290		16	12.6	9.6	1.5	0.7		
539 22 090	4	R125 720 000 R125 720 001 R125 722 001		11	8.4	6.4	1	1		

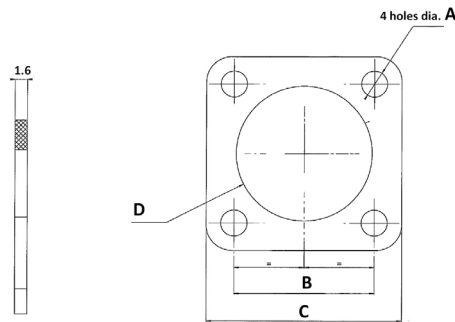
TAG, gaskets and feedthrough

SOLDER TAG



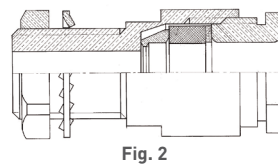
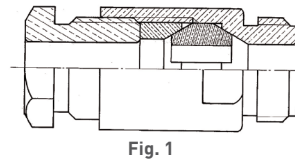
Part number	Finish	Packaging
R280 490 020	Nickel	100 units

PANEL SEALING GASKETS



Part number	Series	Dimensions (mm)				Material
		A	B	C	D	
R280 505 000	N	∅ 3.4	18.25	25.4	17.7	Neoprene
R280 503 000	BNC	∅ 3	12.7	17.5	11.5	

CABLE PANEL FEEDTHROUGH



Part number	Fig.	Mounting type	Panel hole size	Cable group dia.	Cable group
R280 007 000	1	Thread-in	7/16 - 14 UNC 2A	5/50	RG58 / RG141 / RG142
R280 009 000			7/16 - 28 UNEF 2A		
R280 010 000			7/16 UNC 2A	6/75	RG59 / RG62
R280 019 000			11/16 24 NEF 2A	10/50 11/50	RG213 / RG393 / RG214 / RG216
R280 054 000	2	Bulkhead	4.9 mm	3 Max	RG178 / RG174 / RG316 / RG179
R280 257 000			8 mm	5/50	RG58 / RG141 / RG142
R280 254 000			4.9 mm	2.6/50	RG174 / RG178 / RG179

Cable terminations

RIGHT ANGLE PCB CABLE TERMINATIONS

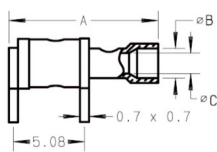


Fig. 1

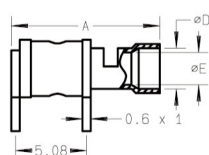


Fig. 3

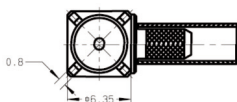


Fig. 2

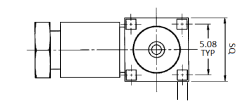


Fig. 4

Cable group	Cable dia.	Part number	Fig.	Dimensions (mm)			Panel drilling	Finish	Note
				A	B	C/E			
RG178 / RG196	2/50/S	R280 219 000	1	10.70	2.10	1.45	P03	Gold	2 pins /solder
		7145-1521-002	2	9.39	9.65	1.01	-		4 pins /crimp
RG174 / RG316 / RG179	2.6/50+75/S	R280 220 008	3	10.70	2.90	2.30	P04	Tin lead	2 pins /solder
		R280 294 000	2	16.85	3.25	1.70	P01		4 pins /crimp
RG405	.085"	8045-1541-010	4	14.98	3.07		-	Gold	4 pins /clamp
RG174 / RG316	2.6/50S	8045-1551-003							
		8145-1521-003							
RG178 / RG196	2/50S	8145-1521-002		17.44	3.09		P01		4 pins /crimp
RD316	2.6/50D	8145-1521-019			3.50				

STRAIGHT PCB CABLE TERMINATIONS

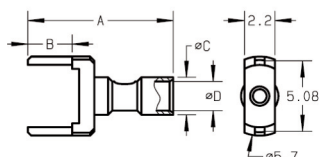


Fig. 1

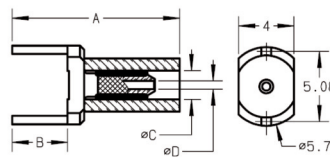


Fig. 2

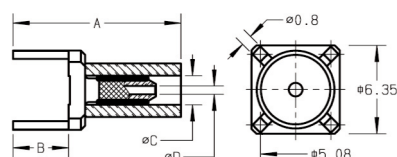
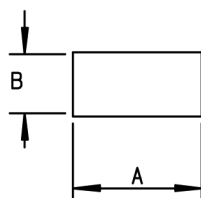
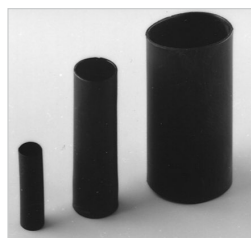


Fig. 3

Cable group	Cable dia.	Part number	Fig.	Dimensions (mm)				Panel drilling	Finish	Note
				A	B	C	D			
RG178 / RG196	2/50/S	R280 221 000	1	10.50	3.20	2.70	1.45	P02	Gold	2 pins /solder
RG174 / RG316 / RG179	2.6/50 - 2.6/75/S	R280 222 000	2	8.40	3.20	3.15	2.30			
		R280 284 000	3	17.20	4.00	3.25	1.70	P01	Nickel	4 pins /crimp

HEATSHRINK SLEEVES

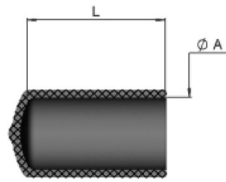
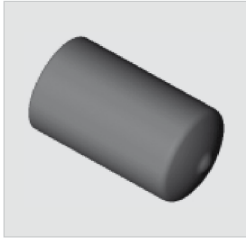


Part number	B		A	Packaging
	Before shrinkage	After shrinkage		
R280 637 030	6.4	3.2	25.4	100
R280 637 040	12	6	45	

Heatshrink sleeves guarantee an IP65 moisture resistance on crimp type models and an IP 67 moisture resistance on clamp type models.

Heatshrink sleeves and cable boots

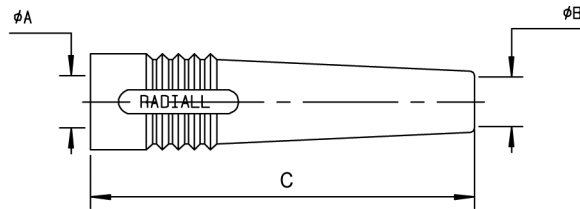
PROTECTIVES CAPS (material: PVC color: red)



These caps protect the interface against dust and accidental interface damage during storage or handling.

Part number	Dimensions		Connectors series using these caps
	ØA	L	
240 92 682	6	11.1	SSMA male, SMB female
240 92 671	6	19	SMA female, SMC female jack
240 92 672	8.7		SMA male
240 92 684	9		QMA male
240 92 673	10.3		TNC female, BNC female
240 92 674	13.5	25.4	TNC male, C female
240 92 675	14.3	22.2	BNC male
240 92 676	15.9	25.4	N female
240 92 677	17.4		C male
240 92 678	19		N male, HN female
A240 92 010	20.63	12.7	7/16 male
240 94 681	4	11.1	SSMA female, QMA female, 10/23 female, SMC male plug
241 92 040	29	10.5	7/16 female
Z241 92 080	20	30.5	4.3-10 female jack

CABLE BOOTS (material: PVC)

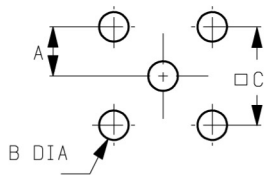


Cable group Color	2.6/50		5/50	6/75
	A: 5.5 - B: 2.6 C: 27	A: 5.5 - B: 2.6 C: 48	A: 5.5 - B: 5.1 - C: 48	A: 6.5 - B: 6.2 - C: 48
Black	R280 560 000	R280 566 000	R280 570 010 / R280 570 000*	R280 590 000
Red	R280 560 001	R280 566 001	R280 571 000	R280 591 000
Green	R280 560 002	R280 566 002	R280 572 000	R280 592 000
Blue	R280 560 003	R280 566 003	R280 573 000	R280 593 000
Yellow	R280 560 004	R280 566 004	R280 574 000	R280 594 000
Grey	R280 560 005	R280 566 005	R280 575 000	R280 595 000
White	R280 560 006	R280 566 006	R280 576 000	R280 596 000
Brown	R280 560 007	R280 566 007	R280 577 000	R280 597 000
Orange	R280 560 008	R280 566 008	R280 578 000	R280 598 000
Violet			R280 579 000	

Standard packaging = 10 pieces - * packaging = 100 pieces

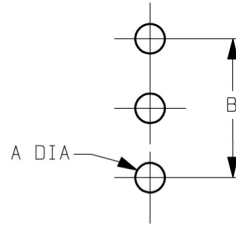
Panel drilling

P01



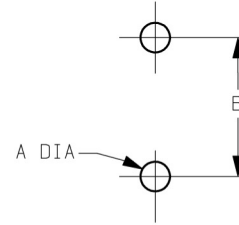
	MM		INCH	
	maxi	mini	maxi	mini
A	2.56	2.52	0.101	0.099
B	1.4	1.3	0.055	0.051
C	5.13	5.03	0.202	0.198

P02



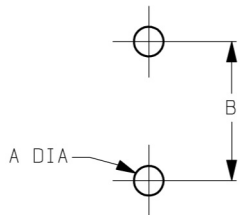
	MM		INCH	
	maxi	mini	maxi	mini
A	1.15	1.05	0.045	0.041
B	5.15	5.05	0.203	0.199

P03



	MM		INCH	
	maxi	mini	maxi	mini
A	1.10	1.00	0.043	0.039
B	5.13	5.03	0.202	0.198

P04



	MM		INCH	
	maxi	mini	maxi	mini
A	1.5	1.4	.059	.055
B	5.13	5.03	.202	.198