



NEX10™

R180

Section 14 Table of Contents

NEX10™

Introduction..... 14-2

Characteristics 14-3

Plugs & Jacks..... 14-4 to 14-5

Accessories & Tools 14-5

Between Series Adapters..... 14-6 to 14-7

Panel Drilling 14-8

NEX10™

INTRODUCTION

Radiall's NEX10™ series is a miniature and lightweight RF coaxial connector with excellent intermodulation performance for outdoor telecom applications up to 20 GHz. To develop this solution, Radiall partnered with two leading RF connector manufacturers to develop NEX10™ - a new compact extremely robust Low PIM connector.

NEX10™ is the perfect solution for customers' requiring new generation equipment in the Telecom market that combines top performance with exceptional benefits and features.

To meet the performance needs of customers NEX10™ offers exceptional performance up to 20 GHz and also features a compact design which is 50% smaller than 4.3-10. This unique solution also offers separation of electrical and mechanical reference planes, which maximizes intermodulation performance under static and dynamic vibrations and torque stress conditions.

NEX10™ is available in multiple configurations:

- Jack: square flange, bulkhead
- Plug: straight & right angle
- Screw-on & push-pull coupling mechanism
- Multi coax
- Additional boot
- Jumper

FEATURES & BENEFITS

- Robust design for outdoor usage
- Low PIM, independent of applied torque
- Multiple coupling mechanism of push-pull and torque
- RF shielding
- Optimized for ¼" superflexible corrugated and smaller flexible cables
- 12.7 mm minimum flange height
- Contact areas protected from damage

APPLICATIONS

- Small Cell and MIMO
- DAS/In-building
- Antennas, radios and filter output
- Outdoor and indoor
- Applications requiring PIM stability in a compact size
- Multi-coax/Blind mate applications



NEX10™

CHARACTERISTICS

TEST / CHARACTERISTICS	VALUES / REMARKS
------------------------	------------------

ELECTRICAL CHARACTERISTICS

Impedance	50Ω			
Frequency	DC - 20 GHz			
PIM (Passive Intermodulation)	-166 dBc, 2 x 43 & 2 x 40 dBm (Static and Dynamic)			
Power	100 W @ 2 GHz @ 85 °C 50 W @ 2 GHz @ 105 °C 250 W @ 2 GHz @ 25 °C			
Return Loss (Typical)	DC - 4 GHz	4 - 6 GHz	6 - 10 GHz	10 - 20 GHz
	> 36 dB	> 34 dB	> 30 dB	> 20 dB
Screening Effectiveness • DC to 6 GHz (Torque Type) • DC to 3 GHz (Push-Pull) • 3 to 6 GHz (Push-Pull)	• 110 dB typical • 90 dB typical • 70 dB typical			
Lightning Protection • Center Conductor • Outer Conductor	±1 kA 10/350 μs pulse and ±4 kA 8/20 μs pulse ±1 kA 10/350 μs pulse and ±4 kA 8/20 μs pulse			
Contact Resistance	Center Contact 2.0 mΩ Outer Contact 1.0 mΩ			
Voltage	Operating Voltage: 1 kV Breakdown Voltage: 3 kV			

MECHANICAL CHARACTERISTICS

Coupling Mechanisms	Torque, Push-Pull
Durability (Mating Cycles)	100 min. 500 for Test and Measurement Types
Boot Protection	Designated Area for Sealing
Mating Characteristics • Quick-Lock - Engagement Force - Disengagement Force • Screw - Recommended Torque	50 N Typical 35 N Typical 1.5 Nm (Maximum 5 Nm)
Interface Retention Force	Quick-Lock: 150 N min. Screw: 500 N min.
Cable Size Diameter	Optimized for Cables up to 1/4"
Bending Force	5 Nm

ENVIRONMENTAL CHARACTERISTICS

Temperature Range	-55 °C / +125 °C
Corrosion	48 Hours Salt Mist Test
Interface Ingress Protection	IP68 (24 hrs, 1 m, Room Temp, Mated Pair)
RoHS	Compliant

NEX10™

PLUGS & JACKS STRAIGHT PLUG SOLDER TYPE

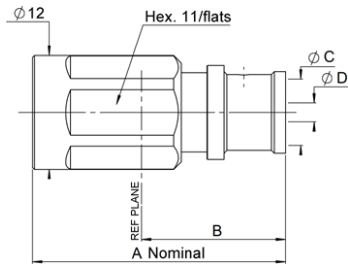


FIG. 1

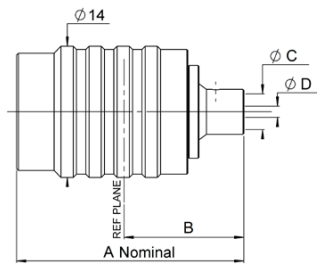


FIG. 2

CABLE GROUP	CABLE GROUP DIA.	PART NUMBER	FIG.	DIMENSIONS				FINISH	COUPLING MECHANISM	
				A	B	C	D			
RG402	.141	R180 052 007		1	24.3	12.8	3.8	1.2	Silver + BBR	Screw-On
		R180 052 017		2						Push-Pull
HCF 1/4" Cu2YAICu	1/4" Superflexible Corrugated	R180 060 007		1	26.7	15.2	7	2	Silver + BBR	Screw-On
		R180 060 017		1						

BULKHEAD JACKS

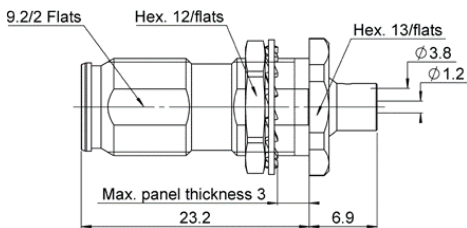


FIG. 1

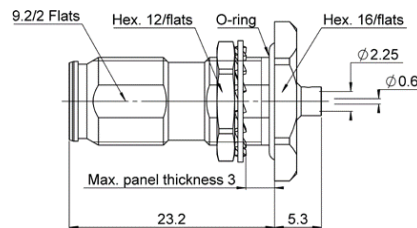


FIG. 2

CABLE GROUP	CABLE GROUP DIA.	PART NUMBER	FIG.	FINISH	PANEL DRILLING	NOTE	
RG402	.141	R180 300 007		1	Silver + BBR	P03	Solder
KS1 / RG405	.085	R180 301 007		2			

NEX10™

FLANGE JACKS

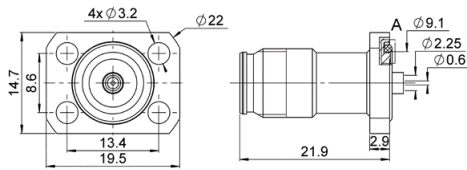


FIG. 1

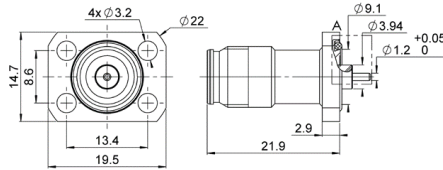


FIG. 2

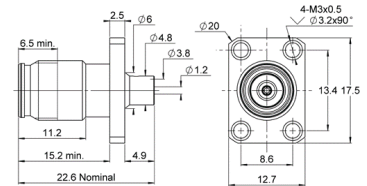



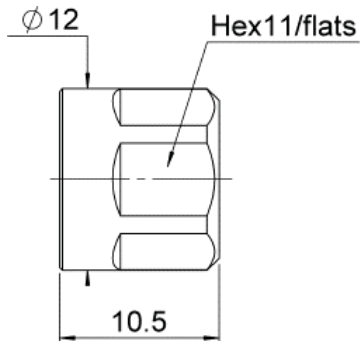


FIG. 3

CABLE GROUP	CABLE GROUP DIA.	PART NUMBER	FIG.	FINISH	PANEL DRILLING	NOTE	
-	-	R180 540 007		1	Silver + BBR	P01	Pin dia 1.2
KS1 / RG405	.085	R180 415 007		2		P02	Solder
RG402	.141	R180 252 007		3			

ACCESSORIES & TOOLS

PROTECTIVE CAPS



PART NUMBER	COUPLING MECHANISM	NOTE	MATERIAL
R180 805 010	Screw-On	IP67	ABS
R180 805 007			Metal


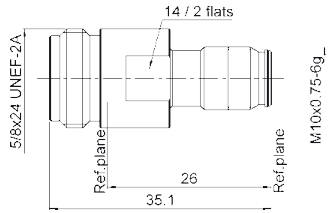

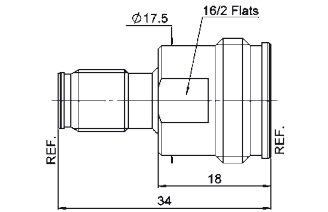

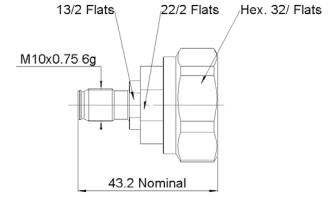

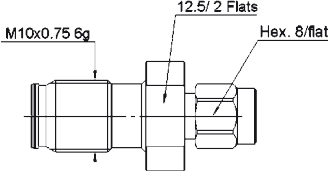
TOOLS




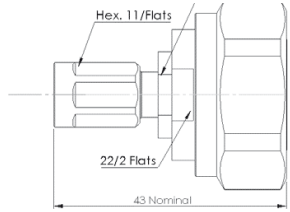

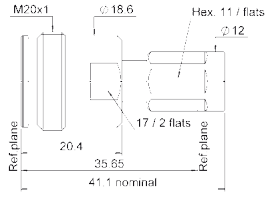

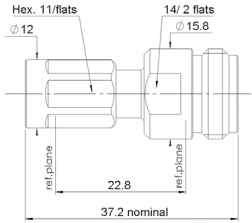

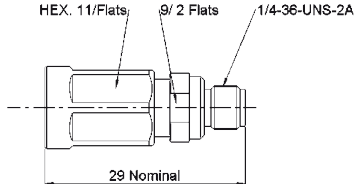

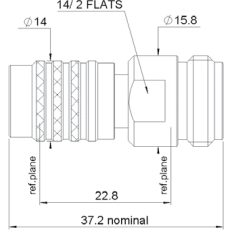
PART NUMBER	DESCRIPTION	ACROSS FLATS D (MM)
R282 303 050	Torque wrench 1.5 N.m	11

NEX10™

BETWEEN SERIES ADAPTERS

PART NUMBER		INTERFACE 1	INTERFACE 2	2D SHAPE
R191 620 027			N Jack Female	
R191 620 037		NEX10™ Jack Female	IP67 4.3-10 Jack Female	
R191 620 017			7/16 Plug Male	
R191 621 017			SMA 3.5 Plug Male	

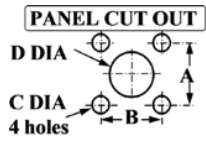
NEX10™

PART NUMBER		INTERFACE 1	INTERFACE 2	2D SHAPE
R191 631 007			7/16 Plug Male	
R191 620 047		NEX10™ Screw Plug Male	4.3-10 Jack Female	
R191 630 007			N Jack Female	
R191 621 007			SMA 3.5 Jack Female	
R191 620 007		NEX10™ Push-Pull Plug Male	N Jack Female	

NEX10™

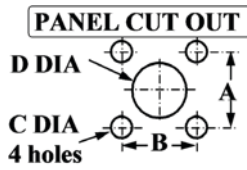
PANEL DRILLING

P01



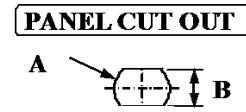
	mm		inch	
	Maxi	mini	Maxi	mini
A	8.65	8.55	0.340	0.336
B	13.45	13.35	0.529	0.525
C	3.3	3.2	0.129	0.078
D	4.2	4.1	0.165	0.161

P02



	mm		inch	
	Maxi	mini	Maxi	mini
A	8.65	8.55	0.34	0.336
B	13.45	13.35	0.529	0.525
C	3.3	3.2	0.129	0.125
D	7.3	7.2	0.287	0.283

P03



	mm		inch	
	Maxi	mini	Maxi	mini
A	10.1	10	0.397	0.393
B	9.3	9.2	0.366	0.362