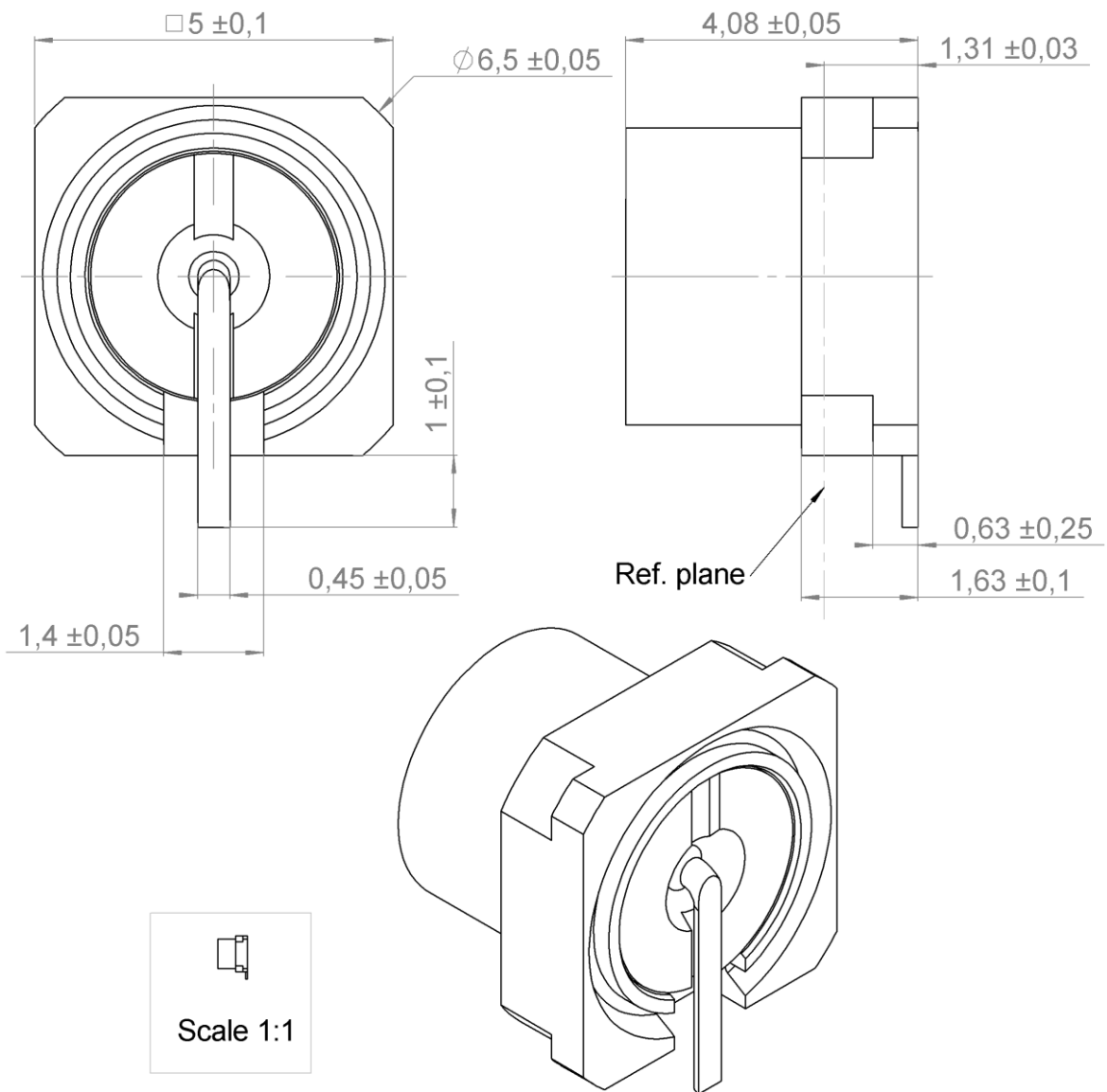
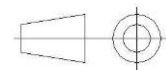


PAGE 1/2	ISSUE 2034A	SERIES SMP-S	PART NUMBER R232408360
----------	-------------	--------------	------------------------



All dimensions are in mm.



COMPONENTS	MATERIALS	PLATING (μm)
Body	BRASS	GOLD 0.5 OVER NICKEL 2
Center contact	BERYLLIUM COPPER	GOLD 1.27 OVER NICKEL 1.27
Outer contact		
Insulator	PEEK	
Gasket		
Others parts		
-	-	-
-	-	-

PAGE 2/2	ISSUE 2034A	SERIES SMP-S	PART NUMBER R232408360
----------	-------------	--------------	------------------------

PACKAGING

Standard	Unit	Other
1	-	Contact us

ELECTRICAL CHARACTERISTICS

Impedance		50	Ω
Frequency		0-3	GHz
VSWR	1.20	+	0,0000 x F(GHz) Maxi
Insertion loss		0.02+0.12	√F(GHz) dB Maxi
RF leakage	- (NA	- F(GHz)) dB Maxi
Voltage rating		500	Vrms Maxi
Dielectric withstanding voltage		335	Vrms mini
Insulation resistance		5000	MΩ mini

ENVIRONMENTAL

Operating temperature	-65/165	°C
Hermetic seal	NA	Atm.cm3/s
Panel leakage	NA	

MECHANICAL CHARACTERISTICS

Center contact retention			
Axial force – Mating End		6.8	N mini
Axial force – Opposite end		NA	N mini
Torque		NA	N.cm mini
Recommended torque			
Mating		NA	N.cm
Panel nut		NA	N.cm
Mating life		100	Cycles Maxi
Weight		0,3300	g Maxi

SPECIFICATION

RAD-GEN-CONN 001
RAD-DET-CONN 019

OTHER CHARACTERISTICS

Assembly instruction:

Others:

Compliant with MIL-STD-348