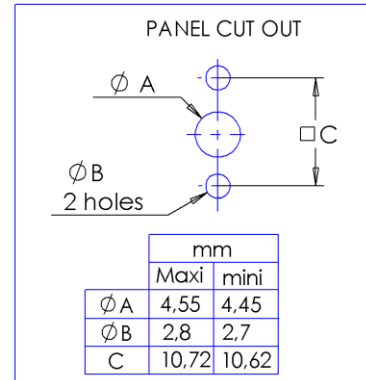
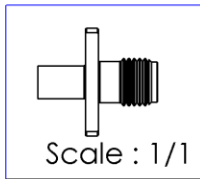
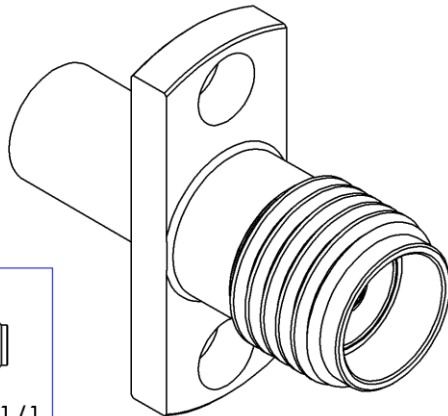
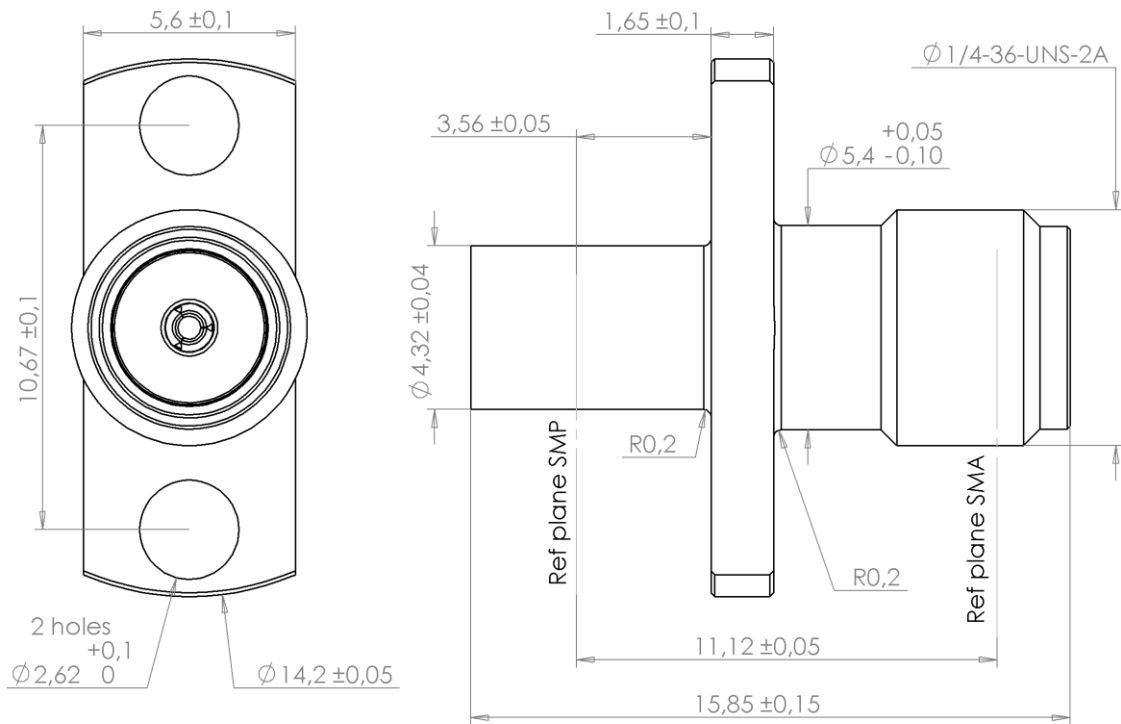
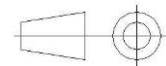


PAGE 1/2	ISSUE 2034A	SERIES ADAPTER-S	PART NUMBER R191843611
----------	-------------	---------------------	------------------------



All dimensions are in mm. Tolerances according ISO 2768 m-H



COMPONENTS	MATERIALS	PLATING (μm)
Body	BERYLLIUM COPPER	GOLD 1.3 OVER NICKEL2
Center contact	BERYLLIUM COPPER	GOLD 1.3 OVER NICKEL2
Outer contact		
Insulator	PTFE	
Gasket		
Others parts		
-	-	-
-	-	-

PAGE 2/2	ISSUE 2034A	SERIES ADAPTER-S	PART NUMBER R191843611
-----------------	--------------------	----------------------------	-------------------------------

PACKAGING

Standard	Unit	Other
1	Contact us	Contact us

ELECTRICAL CHARACTERISTICS

Impedance		50	Ω
Frequency		DC-18	GHz
VSWR	1.3	+	0,0000 x F(GHz) Maxi
Insertion loss		0.02+0.12	√F(GHz) dB Maxi
RF leakage	- (NA	- F(GHz)) dB Maxi
Voltage rating		335	Veff Maxi
Dielectric withstanding voltage		500	Veff mini
Insulation resistance		5000	MΩ mini

ENVIRONMENTAL

Operating	-65/+165	°C
Hermetic seal	NA	Atm.cm3/s
Panel leakage	NA	

MECHANICAL CHARACTERISTICS

Center contact retention			
Axial force – Mating End		6.8	N mini
Axial force – Opposite end		6.8	N mini
Torque		NA	N.cm mini

SPECIFICATION

RAD-GEN-CONN 001
RAD-DET-CONN 019

Recommended torque			
Mating	SMA	80 to 120	N.cm
	SMP Mating	<63	N.cm
	SMP Unmating	>22	N.cm
Panel nut			N.cm

OTHER CHARACTERISTICS

Mating life		100	Cycles mini
Weight		2,700	g