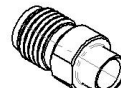
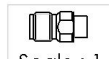
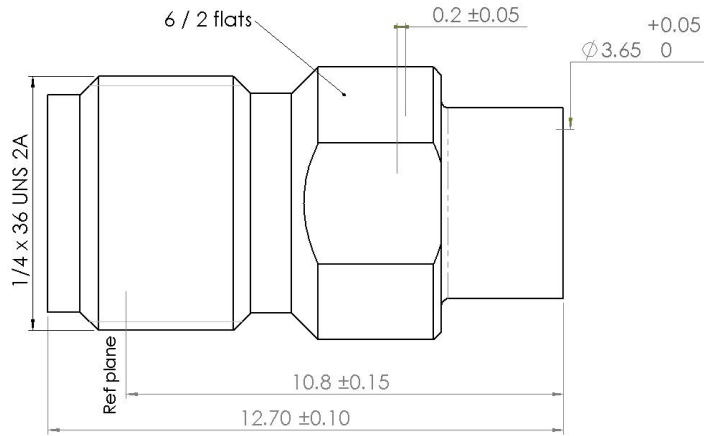
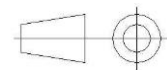


PAGE 1/2	ISSUE 2028A	SERIES SMA-X	PART NUMBER R125225700X
----------	--------------------	---------------------	--------------------------------



All dimensions are in mm.



COMPONENTS	MATERIALS	PLATING (µm)
Body	STAINLESS STEEL	GOLD 0.5 OVER NICKEL 2
Center contact	BERYLLIUM COPPER	GOLD 1.3 OVER NICKEL2
Outer contact		
Insulator	PTFE	
Gasket		
Others parts		
-	-	-
-	-	-

PAGE 2/2	ISSUE 2028A	SERIES SMA-X	PART NUMBER R125225700X
----------	--------------------	---------------------	--------------------------------

PACKAGING

Standard	Unit	Other
1	-	Contact us

ELECTRICAL CHARACTERISTICS

Impedance		50	Ω	
Frequency		0-27	GHz	
VSWR	1.05	+	0,0080	x F(GHz) Maxi
Insertion loss		0.02+0.03	√F(GHz) dB Maxi	
RF leakage	-	90	- F(GHz) dB Maxi	
Voltage rating		500	Vrms Maxi	
Dielectric withstanding voltage		1000	Vrms mini	
Insulation resistance		5000	MΩ mini	

ENVIRONMENTAL

Operating temperature	-65 +105	°C
Hermetic seal	NA	Atm.cm3/s
Panel leakage	NA	

MECHANICAL CHARACTERISTICS

Center contact retention				
Axial force – Mating End		NA	N mini	
Axial force – Opposite end		NA	N mini	
Torque		NA	N.cm mini	
Recommended torque				
Mating		80-120	N.cm	
Panel nut		NA	N.cm	
Mating life		500	Cycles Maxi	
Weight		1,8000	g Maxi	

SPECIFICATION

RAD GEN CONN 001
RAD-DET-CONN 003

OTHER CHARACTERISTICS

Assembly instruction:

Others: