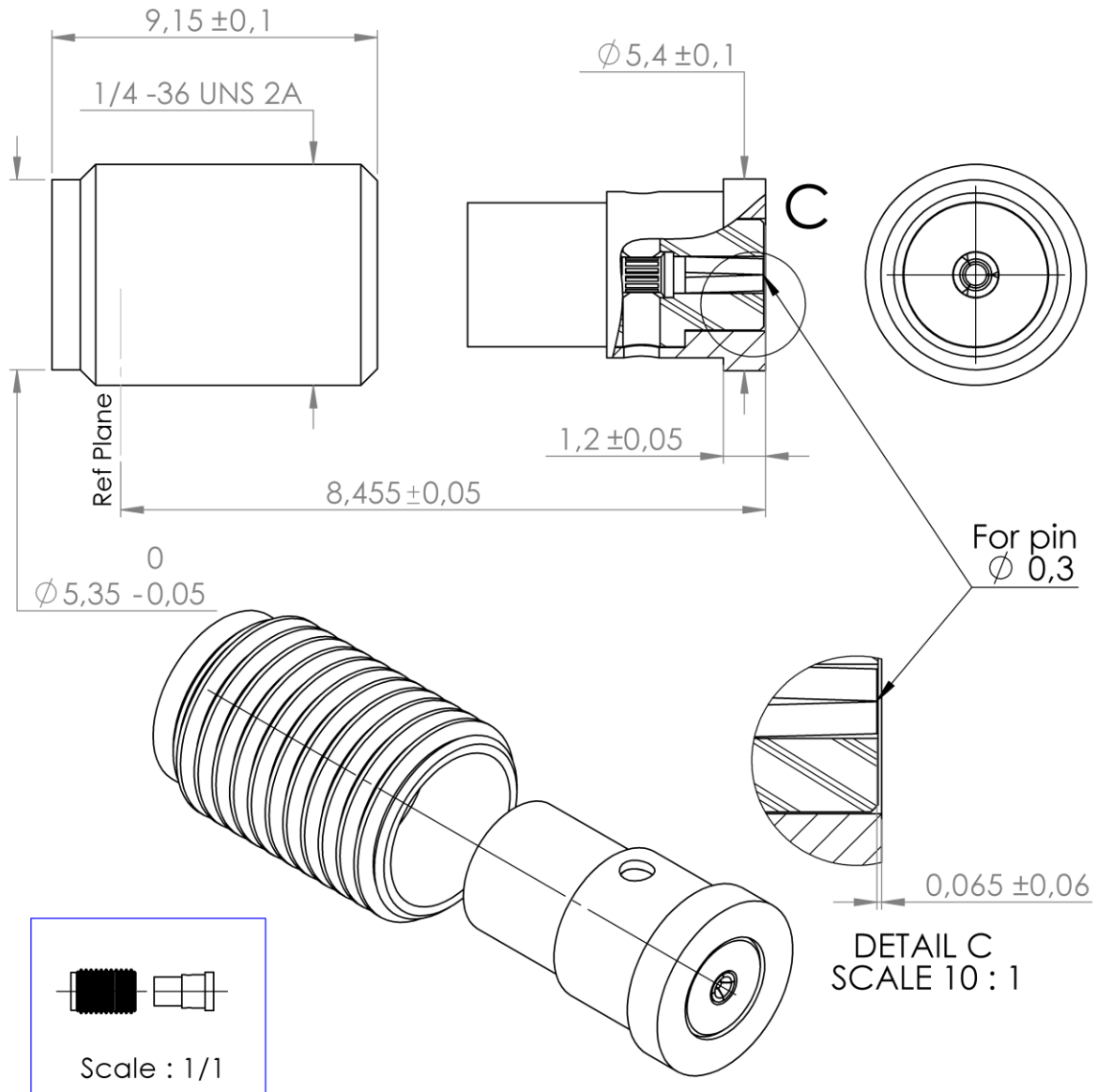


PAGE 1/2	ISSUE 2030A	SERIES SMA-X	PART NUMBER R125556061X
----------	-------------	--------------	-------------------------



All dimensions are in mm.

COMPONENTS	MATERIALS	PLATING (μm)
Body	STAINLESS STEEL	PASSIVATED.
Center contact	BERYLLIUM COPPER	GOLD 2.5 OVER COPPER 2.5
Outer contact	-	-
Insulator	PTFE	-
Gasket	-	-
Others parts	-	-
-	-	-
-	-	-

PAGE 2/2	ISSUE 2030A	SERIES SMA-X	PART NUMBER R12556061X
----------	-------------	--------------	------------------------

PACKAGING

Standard	Unit	Other
1	-	Contact us

ELECTRICAL CHARACTERISTICS

Impedance		50	Ω
Frequency		0-18	GHz
VSWR	1.06	+	0,0100 x F(GHz) Maxi
Insertion loss		0.02+0.03	√F(GHz) dB Maxi
RF leakage	- (70	- F(GHz)) dB Maxi
Voltage rating		335	Vrms Maxi
Dielectric withstanding voltage		1000	Vrms mini
Insulation resistance		5000	MΩ mini

ENVIRONMENTAL

Operating temperature	-65/+165	°C
Hermetic seal	NA	Atm.cm3/s
Panel leakage	NA	

MECHANICAL CHARACTERISTICS

Center contact retention			
Axial force – Mating End		27	N mini
Axial force – Opposite end		27	N mini
Torque		NA	N.cm mini
Recommended torque			
Mating		80-120	N.cm
Panel nut		190	N.cm
Mating life		500	Cycles Maxi
Weight		1,7000	g Maxi

SPECIFICATION

RAD-GEN-CONN 001
RAD-DET-CONN 003

OTHER CHARACTERISTICS

Assembly instruction:

Others: