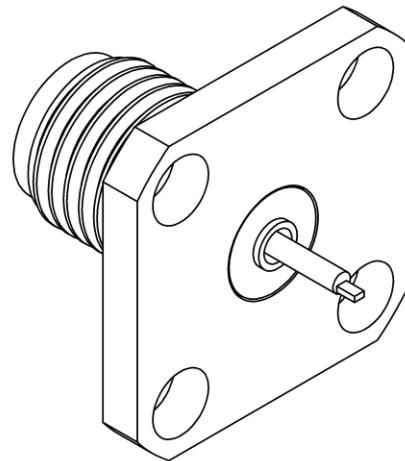
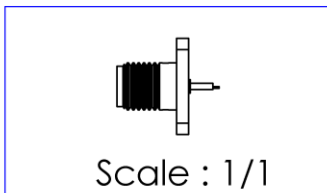
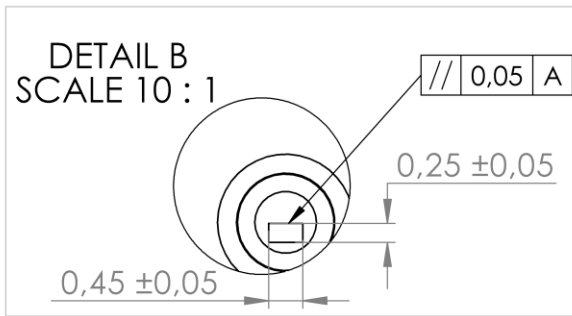
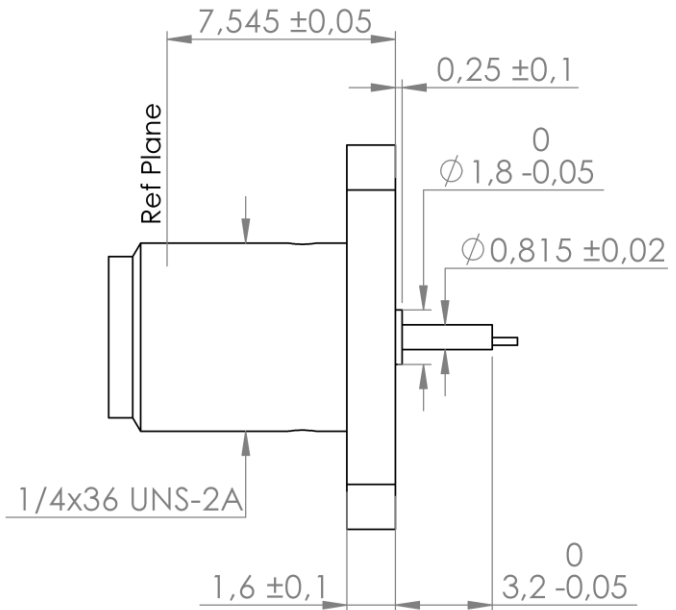
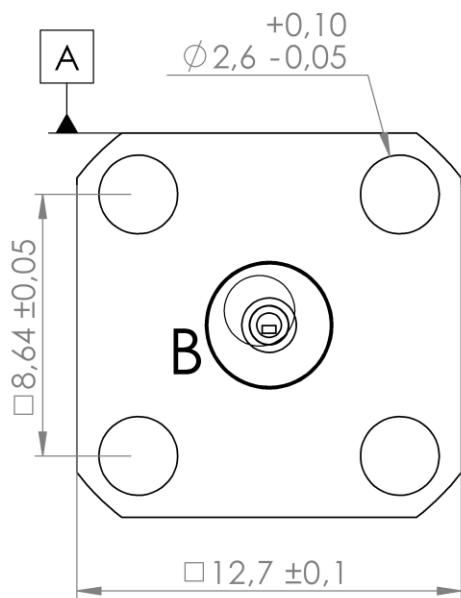
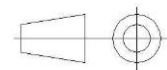


PAGE 1/2	ISSUE 1651A	SERIES SMA-X	PART NUMBER R125501000X
----------	-------------	--------------	--------------------------------



All dimensions are in mm.



COMPONENTS	MATERIALS	PLATING (µm)
Body	STAINLESS STEEL	GOLD 1.3 OVER NICKEL2
Center contact	BERYLLIUM COPPER	GOLD 1.3 OVER NICKEL2
Outer contact	-	-
Insulator	PTFE	-
Gasket	-	-
Others parts	-	-
-	-	-
-	-	-

PAGE 2/2	ISSUE 1651A	SERIES SMA-X	PART NUMBER R125501000X
----------	--------------------	---------------------	--------------------------------

PACKAGING

Standard	Unit	Other
1	-	Contact us

ELECTRICAL CHARACTERISTICS

Impedance		50	Ω	
Frequency		0-18	GHz	
VSWR	1.06	+	0,0025	x F(GHz) Maxi
Insertion loss			0.07*	√F(GHz) dB Maxi
RF leakage	-	(60	- F(GHz) dB Maxi
Voltage rating			500	Veff Maxi
Dielectric withstanding voltage			1000	Veff mini
Insulation resistance			5000	MΩ mini

ENVIRONMENTAL

Operating temperature	-65/+105	°C
Hermetic seal	NA	Atm.cm3/s
Panel leakage	NA	

MECHANICAL CHARACTERISTICS

Center contact retention				
Axial force – Mating End		27	N mini	
Axial force – Opposite end		27	N mini	
Torque		2.8	N.cm mini	
Recommended torque				
Mating		NA	N.cm	
Panel nut		NA	N.cm	
Mating life		500	Cycles	
Weight		3,05	g	

SPECIFICATION

RAD-GEN-CONN-001
RAD-DET-CONN-003

OTHER CHARACTERISTICS

Assembly instruction:

Others:

* Coaxial Transmission Line Only