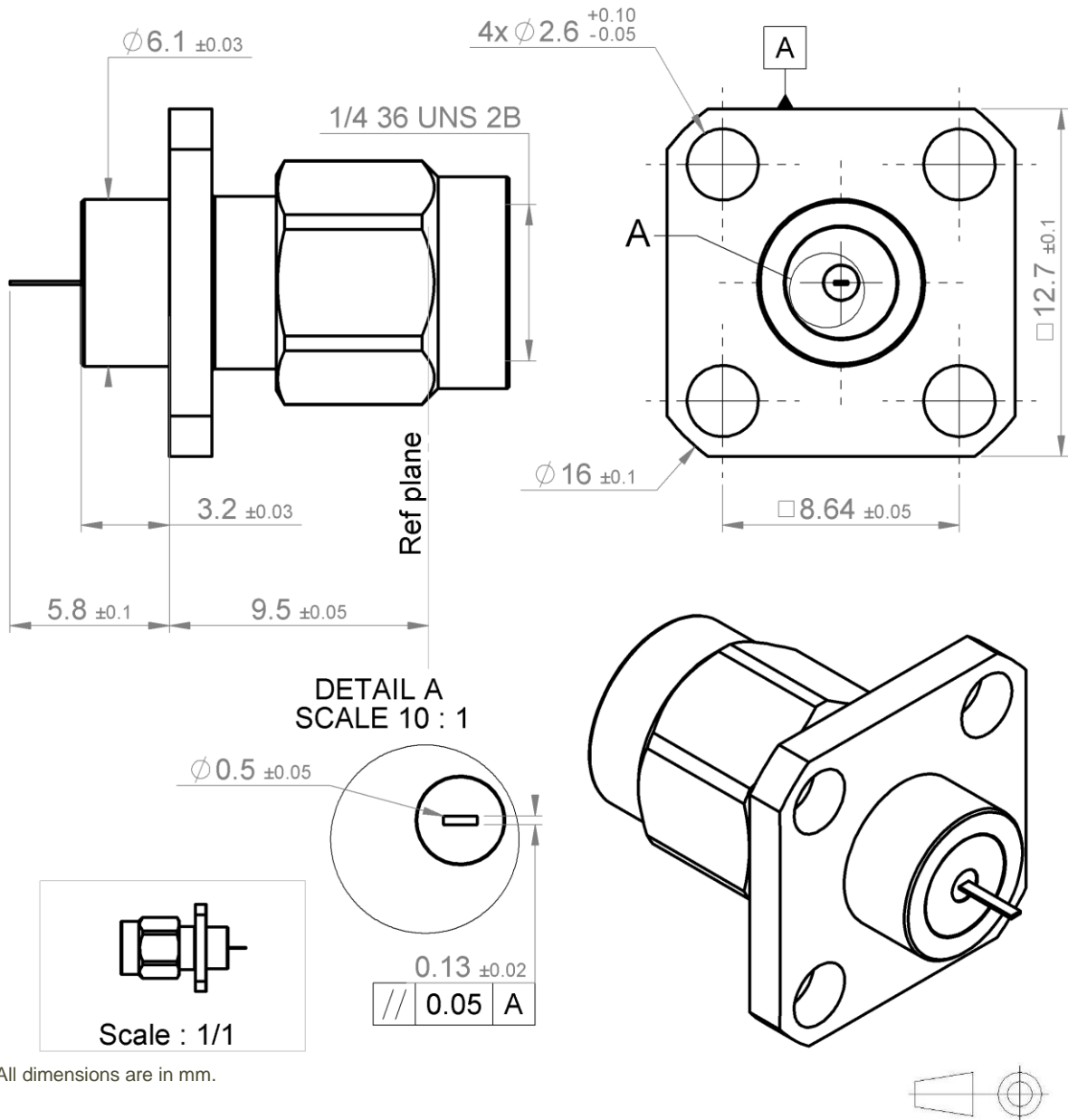


PAGE 1/2	ISSUE 2029A	SERIES SMA-X	PART NUMBER R125444040X
----------	-------------	--------------	-------------------------



All dimensions are in mm.

COMPONENTS	MATERIALS	PLATING ( $\mu\text{m}$ )
Body	<b>STAINLESS STEEL</b>	<b>GOLD 0.5 OVER NICKEL 2</b>
Center contact	<b>BERYLLIUM COPPER</b>	<b>GOLD 1.3 OVER NICKEL2</b>
Outer contact	<b>STAINLESS STEEL</b>	<b>GOLD 0.5 OVER NICKEL 2</b>
Insulator	<b>PTFE</b>	
Gasket	<b>SILICONE 60 SHORE A, RED</b>	
Others parts	<b>STAINLESS STEEL</b>	<b>GOLD 0.5 OVER NICKEL 2</b>
-	-	-
-	-	-

PAGE 2/2	ISSUE 2029A	SERIES SMA-X	PART NUMBER R125444040X
----------	-------------	--------------	-------------------------

**PACKAGING**

Standard	Unit	Other
1	-	Contact us

**ELECTRICAL CHARACTERISTICS**

Impedance		<b>50</b>	Ω
Frequency		<b>0-18</b>	GHz
VSWR	<b>1.1</b>	<b>+</b>	<b>0,0100</b> x F(GHz) Maxi
Insertion loss		<b>0.02+0.05</b>	√F(GHz) dB Maxi
RF leakage	- (	<b>110</b>	- F(GHz)) dB Maxi
Voltage rating		<b>335</b>	Vrms Maxi
Dielectric withstanding voltage		<b>1000</b>	Vrms mini
Insulation resistance		<b>5000</b>	MΩ mini

**ENVIRONMENTAL**

Operating temperature	<b>-65/+105</b>	°C
Hermetic seal	<b>NA</b>	Atm.cm3/s
Panel leakage	<b>NA</b>	

**MECHANICAL CHARACTERISTICS**

Center contact retention			
Axial force – Mating End		<b>27</b>	N mini
Axial force – Opposite end		<b>27</b>	N mini
Torque		<b>2.8</b>	N.cm mini
Recommended torque			
Mating	<b>80-120</b>		N.cm
Panel nut	<b>NA</b>		N.cm
Mating life		<b>500</b>	Cycles Maxi
Weight		<b>5,0000</b>	g Maxi

**SPECIFICATION**

**RAD-GEN-CONN 001**  
**RAD-DET-CONN 002**

**OTHER CHARACTERISTICS**

Assembly instruction:

Others: