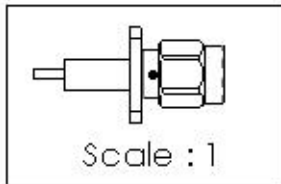
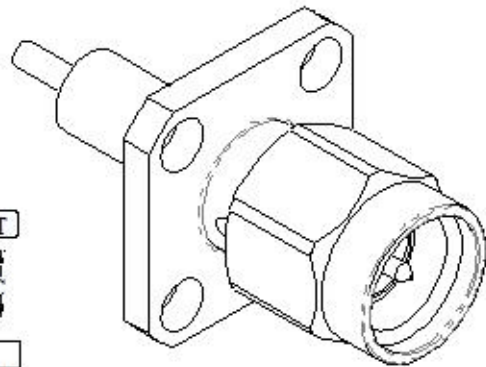
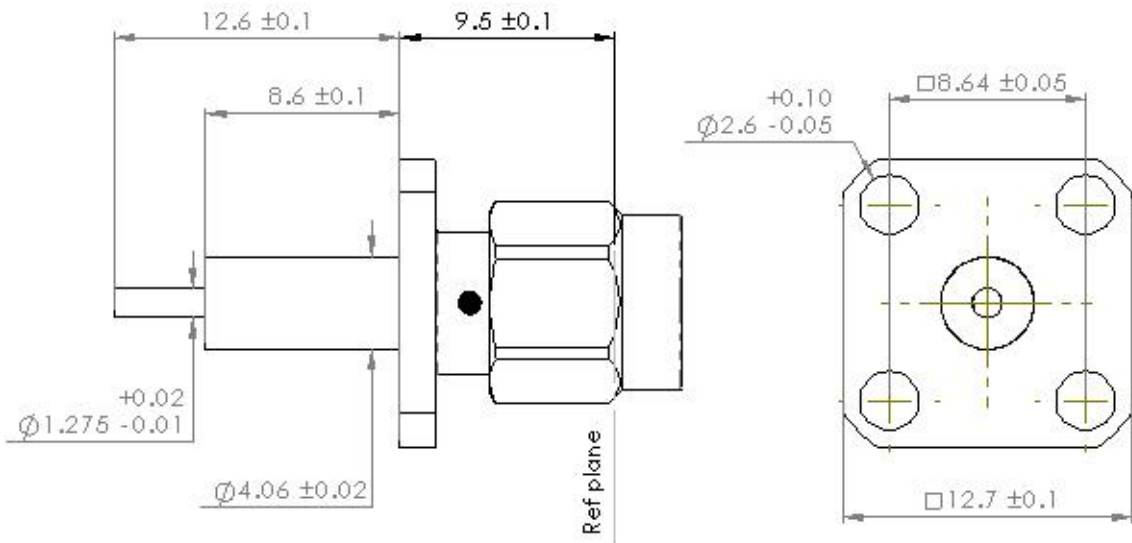


PAGE 1/2	ISSUE 2028A	SERIES SMA-X	PART NUMBER R125444001X
----------	-------------	--------------	-------------------------

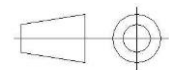


PANEL CUT OUT

A DIA
B DIA
4 holes
C

	mm	
	Maxi	mini
A	4.2	4.1
B	2.7	2.6
C	8.69	8.59

All dimensions are in mm.



COMPONENTS	MATERIALS	PLATING (μm)
Body	STAINLESS STEEL	PASSIVATED.
Center contact	BRASS.	GOLD 2.5 OVER NICKEL 2
Outer contact		
Insulator	PTFE	
Gasket	SILICONE	
Others parts	STAINLESS STEEL	PASSIVATED.
-	-	-
-	-	-

PAGE 2/2	ISSUE 2028A	SERIES SMA-X	PART NUMBER R125444001X
----------	-------------	--------------	-------------------------

PACKAGING

Standard	Unit	Other
1	-	Contact us

ELECTRICAL CHARACTERISTICS

Impedance		50	Ω
Frequency		0 - 18	GHz
VSWR	1.06	+	0,0020 x F(GHz) Maxi
Insertion loss		0.02+0.07	√F(GHz) dB Maxi
RF leakage	- (60	- F(GHz)) dB Maxi
Voltage rating		500	Vrms Maxi
Dielectric withstanding voltage		1000	Vrms mini
Insulation resistance		5000	MΩ mini

ENVIRONMENTAL

Operating temperature	-65/+165	°C
Hermetic seal	NA	Atm.cm3/s
Panel leakage	NA	

MECHANICAL CHARACTERISTICS

Center contact retention			
Axial force – Mating End		27	N mini
Axial force – Opposite end		27	N mini
Torque		2.8	N.cm mini
Recommended torque			
Mating	80-120		N.cm
Panel nut	NA		N.cm
Mating life		500	Cycles Maxi
Weight		5,0000	g Maxi

SPECIFICATION

RAD-GEN-CONN 001
RAD-DET-CONN 002

OTHER CHARACTERISTICS

Assembly instruction:

Others: