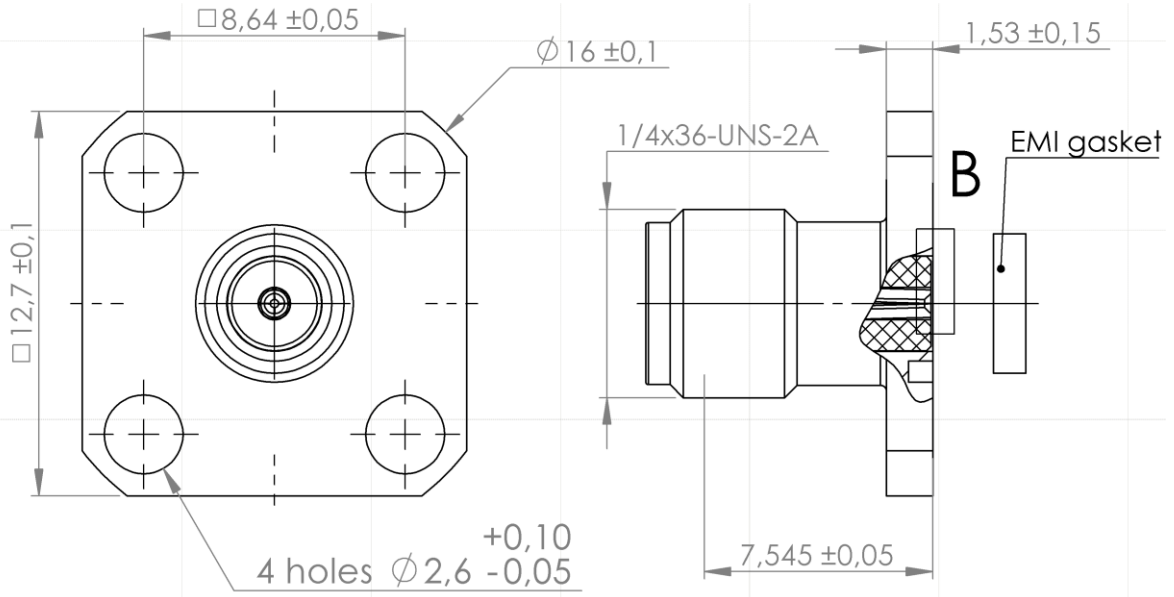
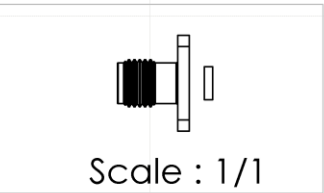
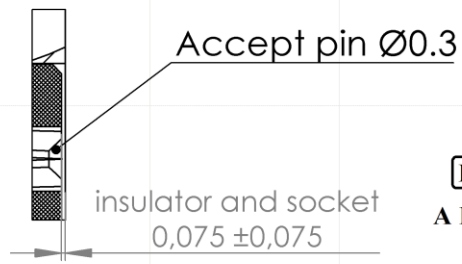


PAGE 1/2	ISSUE 2028A	SERIES SMA-X	PART NUMBER R125411000X
----------	-------------	--------------	--------------------------------

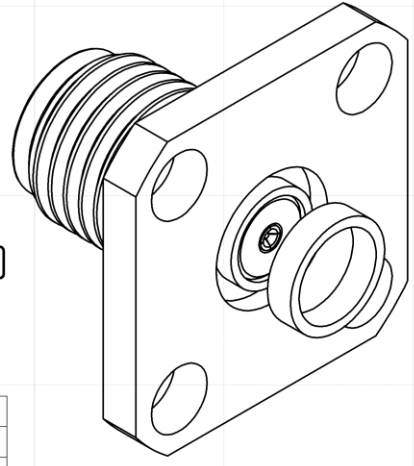


DETAIL B
SCALE 8 : 1

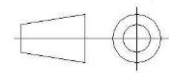


PANEL CUT OUT

	mm	
	Maxi	mini
A	4.2	4.1
B	2.7	2.6
C	8.69	8.59



All dimensions are in mm.



COMPONENTS	MATERIALS	PLATING (μm)
Body	STAINLESS STEEL	GOLD 1.3 OVER NICKEL2
Center contact	BERYLLIUM COPPER	GOLD 1.3 OVER NICKEL2
Outer contact		
Insulator	PTFE	
Gasket	SILICONE RUBBER	
Others parts		
-	-	-
-	-	-

PAGE 2/2	ISSUE 2028A	SERIES SMA-X	PART NUMBER R125411000X
----------	-------------	--------------	-------------------------

PACKAGING

Standard	Unit	Other
1	-	Contact us

ELECTRICAL CHARACTERISTICS

Impedance		50	Ω
Frequency		0-18	GHz
VSWR	1.04	+	0,0060 x F(GHz) Maxi
Insertion loss		0.02+0.07	√F(GHz) dB Maxi
RF leakage	- (70	- F(GHz)) dB Maxi
Voltage rating		335	Vrms Maxi
Dielectric withstanding voltage		1000	Vrms mini
Insulation resistance		5000	MΩ mini

ENVIRONMENTAL

Operating temperature	-65/+125	°C
Hermetic seal	NA	Atm.cm3/s
Panel leakage	NA	

MECHANICAL CHARACTERISTICS

Center contact retention			
Axial force – Mating End		27	N mini
Axial force – Opposite end		27	N mini
Torque		NA	N.cm mini
Recommended torque			
Mating		80-120	N.cm
Panel nut		NA	N.cm
Mating life		500	Cycles Maxi
Weight		2,8000	g Maxi

SPECIFICATION

RAD-GEN-CONN 001
RAD-DET-CONN 003

OTHER CHARACTERISTICS

Assembly instruction:

Others:

Coaxial Transmission Line Only