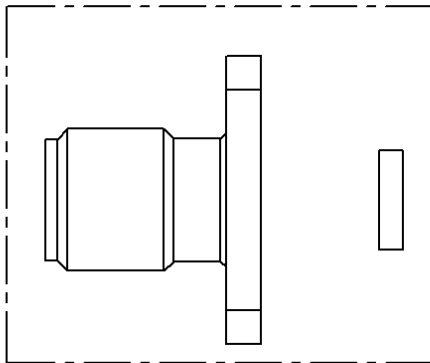
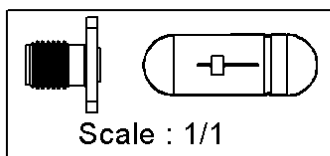
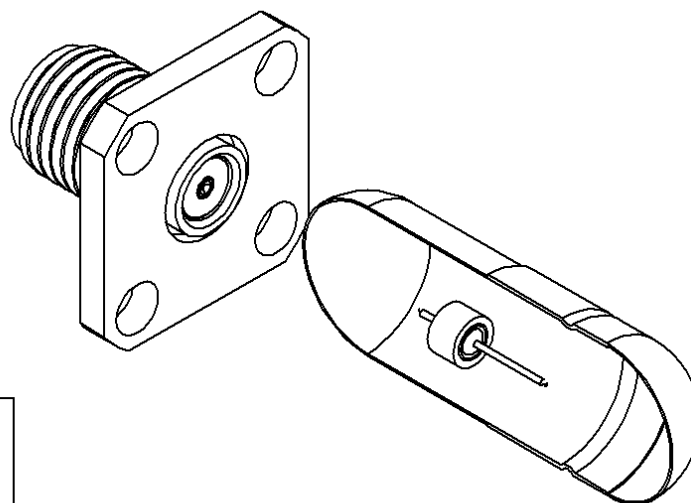
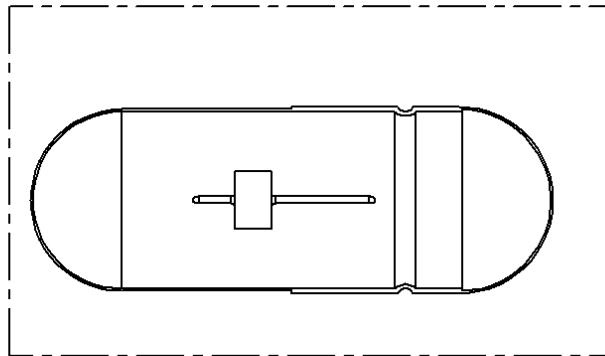


PAGE 1/2	ISSUE 2032A	SERIES SMA-X	PART NUMBER R125411400X
----------	-------------	--------------	-------------------------

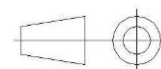
CONNECTOR R125.411.000



Glass Seal R280.751.000



All dimensions are in mm.



COMPONENTS	MATERIALS	PLATING (µm)
Body	X8CrNiS18-9 - S30300	GOLD 0.5 OVER NICKEL 2
Center contact	CuBe2Pb H - C17300	GOLD 1.3 OVER NICKEL2
Outer contact		
Insulator	PTFE+GLASS BEAD	
Gasket	SILICONE 60 SHORE A, RED	
Others parts		
-	-	-
-	-	-

PAGE 2/2	ISSUE 2032A	SERIES SMA-X	PART NUMBER R125411400X
----------	-------------	--------------	-------------------------

PACKAGING

Standard	Unit	Other
1	-	Contact us

ELECTRICAL CHARACTERISTICS

Impedance		50	Ω
Frequency		0-18	GHz
VSWR	1.06	+	0,0100 x F(GHz) Maxi
Insertion loss		0.02+0.07*	√F(GHz) dB Maxi
RF leakage	- (- F(GHz)) dB Maxi
Voltage rating		335	Vrms Maxi
Dielectric withstanding voltage		1000	Vrms mini
Insulation resistance		5000	MΩ mini

ENVIRONMENTAL

Operating temperature	-65/+125	°C
Hermetic seal	NA	Atm.cm3/s
Panel leakage	NA	

MECHANICAL CHARACTERISTICS

Center contact retention			
Axial force – Mating End		27	N mini
Axial force – Opposite end		27	N mini
Torque		NA	N.cm mini
Recommended torque			
Mating		NA	N.cm
Panel nut		NA	N.cm
Mating life		500	Cycles Maxi
Weight		3,0000	g Maxi

SPECIFICATION

RAD-GEN-CONN 001
RAD-DET-CONN 003

OTHER CHARACTERISTICS

Assembly instruction: **HERM 01**

Others:

***Coaxial Transmission line Only**