



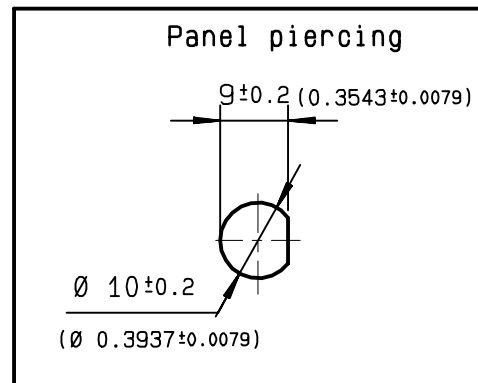
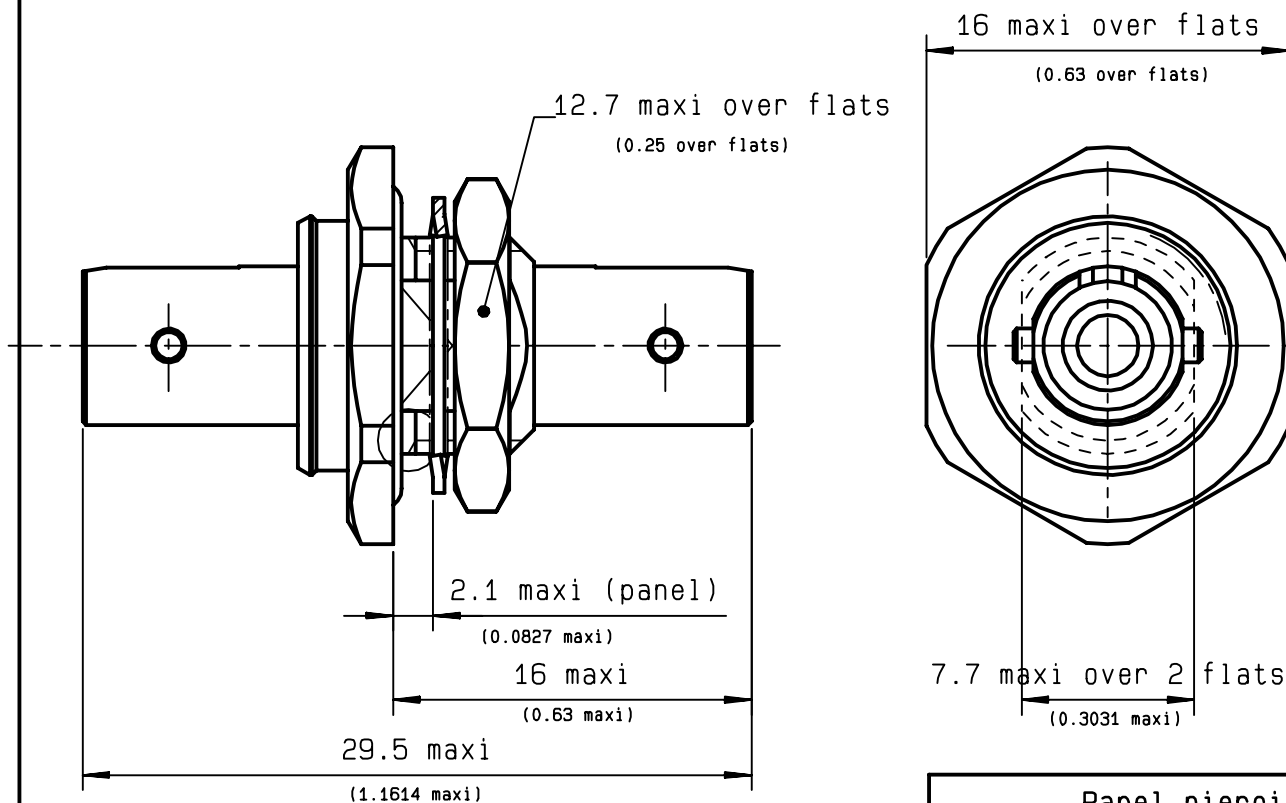
Title BULKHEAD ADAPTER, CERAMIC SLEEVE, PANEL SEALING

Series
F 709

Issue:
02 01 99

Page
1/2

Dimensions : mm



GENERAL

TYPE : ST adapter IEC 874-10
Suitable for singlemode applications
Used with singlemode plugs, PC polishing termination

- CONSTRUCTION**
- Body : brass, nickel plated
 - Alignment sleeve : ceramic
 - Gasket : silicon rubber
 - Other parts : brass or bronze, nickel plated

CREATION					
N°	: PEN 98 0400 963				
Name	: SD	03 08 99	Panel 2.3 => 2.1 maxi, design modified	S. D	
Date	: 12 15 98	12 15 98	Add vibration and panel sealing requirements	S. DUBOIS	
Verif.:	: LV	Issue	Revisions	Name	Approved



CHARACTERISTICS

(Depending on fibre or cable construction)

	COMPLIANT WITH	REQUIREMENTS
OPTICAL - Insertion loss	$\lambda = 1300 \text{ nm}$ IEC 874-1	average : < 0.3 dB standard deviation : < 0.08 dB
MECHANICAL - Mechanical endurance - Vibrations	1000 mating cycles 5/55 Hz, 1.5g 50/500 Hz, 3 g	Increase insertion loss : < 0.3 dB Increase insertion loss : < 0.3 dB
ENVIRONMENTAL - Operating temperature - Panel sealing	-40° C through +85° C IEC 68-2-17 test Qa	