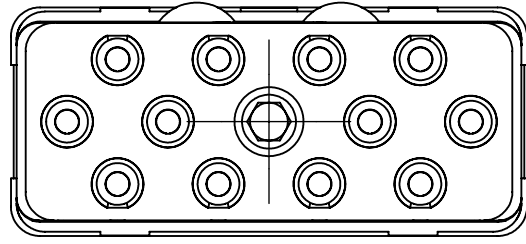


Series  
**EPXB**

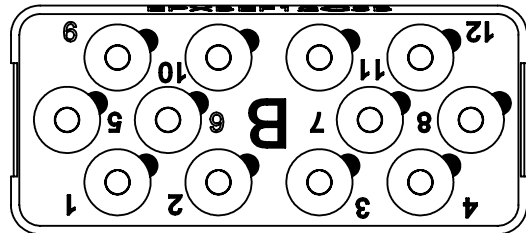
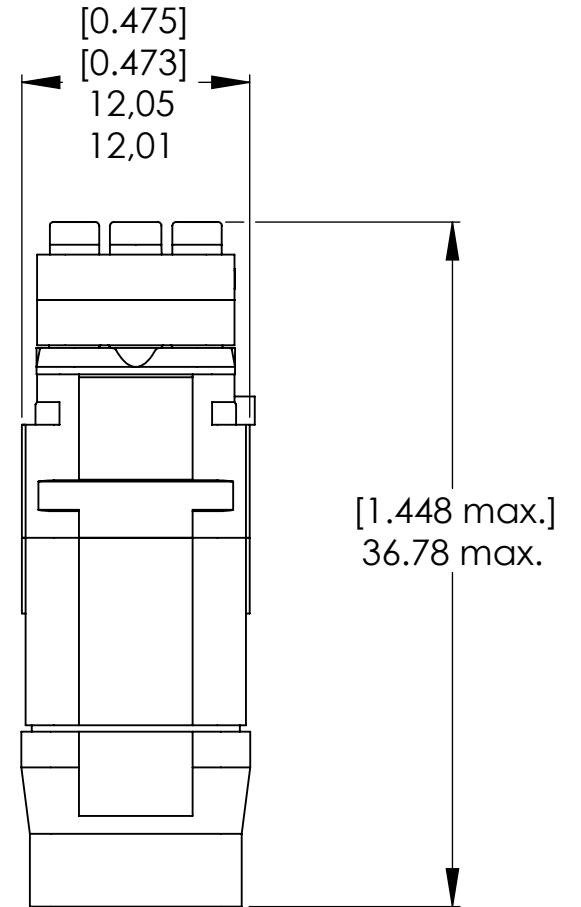
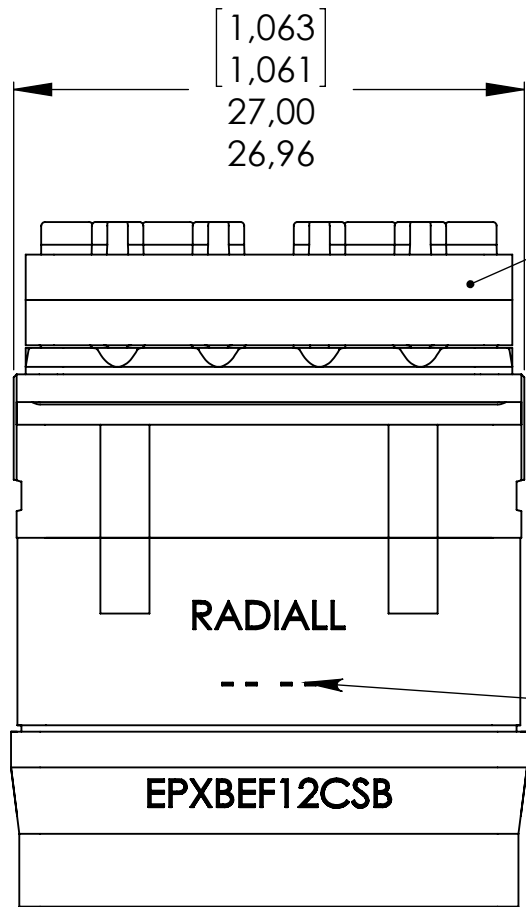
ENVIRONMENTAL SOCKET INSERT 'B' KEYING  
12 CAVITIES FOR ML or MT LuxCis OPTICAL CONTACTS

Issue:  
Aug. 10,09

Page  
**1/1**



**Front view  
Mating face**



**Rear view  
Cavity identification**

**MATERIALS:**

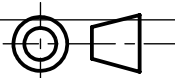
- Insert: Fiberglass filled thermosetting
- Retention clips: Beryllium copper
- Sleeve-holder:
  - Body: High grade thermoplastic
  - Central screw: Stainless steel
  - Alignment sleeve: ZrO2 ceramic
- Rear grommet & interfacial seal: Fluorosilicone

**NOTES:**

- Sleeve-holder can be ordered separately; P/N: 617 802 256.  
Tool : 5/64 inches allen key  
Coupling torque : 0.20 N.m [1.77 Lbf.in] to 0.25 N.m [2.21 Lbf.in]
- Environmental insert for:  
ML/MT (mono-key) LuxCis optical contact.
- Insert delivered without contact.

**Refer to LuxCis maintenance document 503 08 590 section "Advices / recommendations" before starting to use this product.**

**DIMENSIONS : mm (inch are given for information only)**



Confidential information not to be disclosed to third parties without Radiall approval. This information is given as an indication. In the continual goal to improve our products, we reserve the right to make any modifications judged necessary.

4112\_9311

CREATION				
PEN:	Aug. 10,09	Add "Refer to LuxCis maintenance ..... to use this product"	SURAUULT	PESSARD
	Mar. 11,08	Rear marking updated	SURAUULT	PESSARD
NOM: HUGER D.	April 17,07	36.90,33.30 --> 36.78 max- 0.474--> 0.475 sup. cavities or environmental insert for HL/HT (hexagonal) LuxCis optical contact - Coupling torque Lbf.in updated sup. insert material: High grade thermoplastic	SURAUULT	PESSARD
DATE: May 02 2006				
APPR.: PESSARD M.	Issue	Revisions	Name	Approved