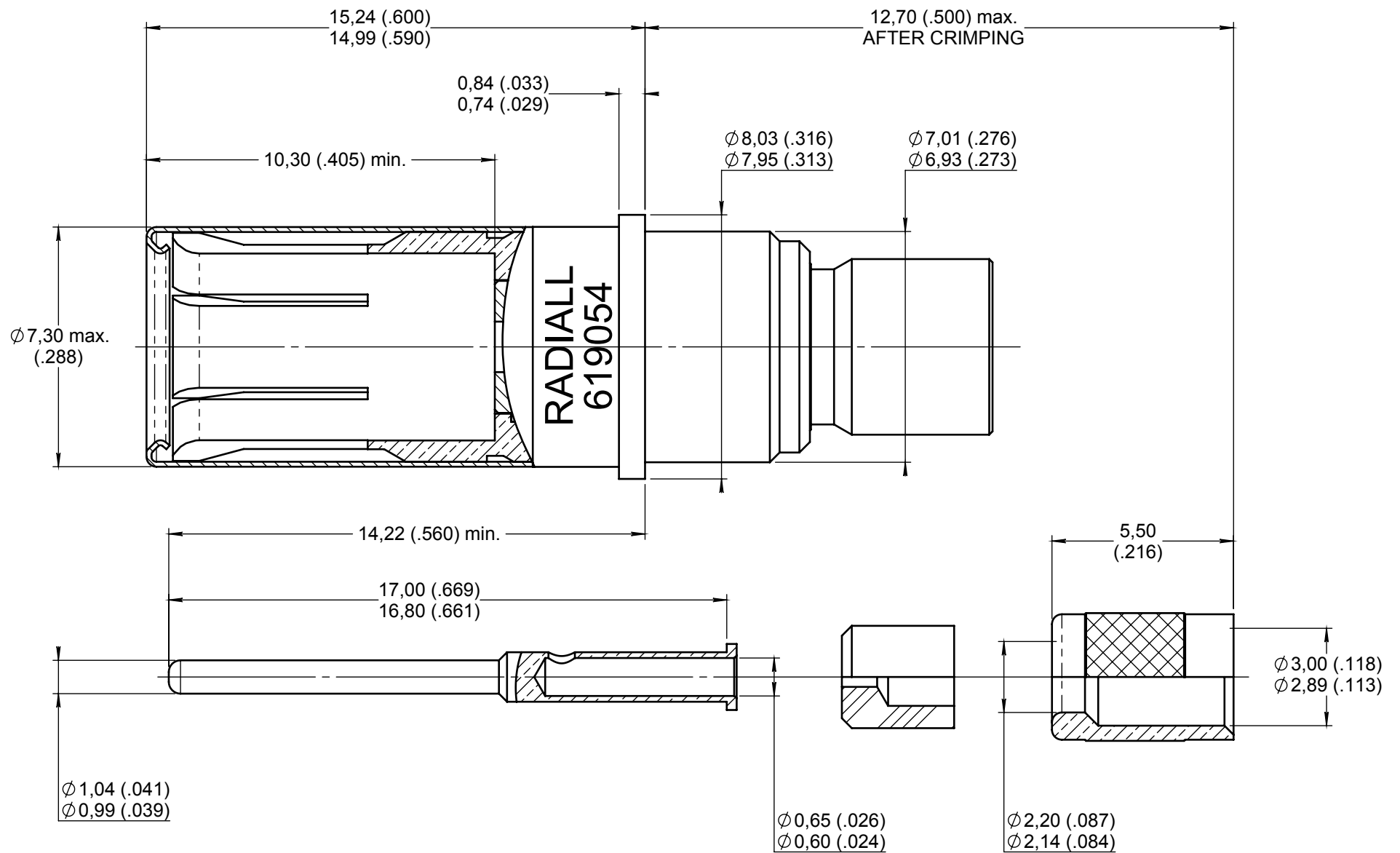


Series
BPX

NON ENVIRONMENTAL SIZE 8 CRIMP SOCKET COAX CONTACT
FOR RG316, KX22, RG179 AND ASNE0639XY CABLES

Issue:
Aug. 04, 2014

Page
1/1



MATERIAL :

OUTER CONTACT: BERYLLIUM COPPER PER ASTM B-196
CENTER CONTACT: BRASS PER QQ-B-626
FERRULE : BRASS PER QQ-B-626
PROTECTIVE SLEEVE: STAINLESS STEEL PER AISI 305
DIELECTRIC : TPE PER ASTM-D-1710 OR EQUIVALENT

FINISH :

ALL METAL PARTS: GOLD PER SAE AMS-2422 (TYPE I OR II ,GRADE C OR D AND CLASS 1) OVER NICKEL PER AMS-2403

DESIGN REQUIREMENT :

TEMPERATURE RANGE : -65°C +125°C
IMPEDANCE : 50 OHM NOMINAL
RATED VOLTAGE AT SEA LEVEL : 325 V RMS AT SEA LEVEL
DIELECTRIC WITHSTANDING VOLTAGE : 750 V RMS AT SEA LEVEL
FREQUENCY RANGE : 0 TO 500 MHZ
VSWR : 1.10/1 AT 0 TO 300 MHZ
VSWR : 1.30/1 AT 0 TO 500 MHZ

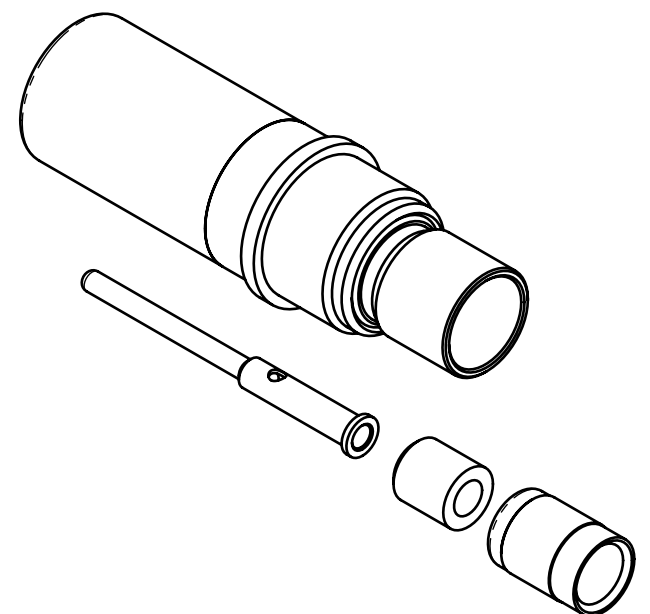
TOOLING :

CENTER CONTACT : CRIMPING TOOL M22520/2-01 (RADIALL P/N 282281)
POSITIONER: DANIELS K1025-S (RADIALL P/N 282587)

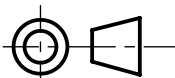
FERRULE : CRIMPING TOOL M22520/5-01 (RADIALL P/N 282293)
DIE : M22520/5-05 (RADIALL P/N 282246)
HEX B 4,50 (.178) ON FLATS

EXTRACTION TOOL: M81969/28-03 (RADIALL P/N 282549001)

WIRING INSTRUCTIONS : SEE RP55626



DIMENSIONS : mm (inch are given for information only)



Estimated weight : 4 g

CREATION

PEN: /

NOM: Macari

DATE: July 03, 2001

APPR.: Dupuis

Issue	Revisions	Name	Approved
Aug. 04, 14	Updated	Branjonneau	Dupuis
Sept 16, 03	Added RG179 cable	Macari	Dupuis
Dec. 13, 01	Updated	Macari	Dupuis
Aug. 08, 01	619054 was RP55614	Macari	Dupuis

This document contains proprietary information and such information shall not be disclosed to any third party for any purpose whatsoever or used for manufacturing purposes without prior written agreement from RADIALL. This information is given as an indication. In the continual goal to improve our products, we reserve the right to make any modifications judged necessary.

4112_9311