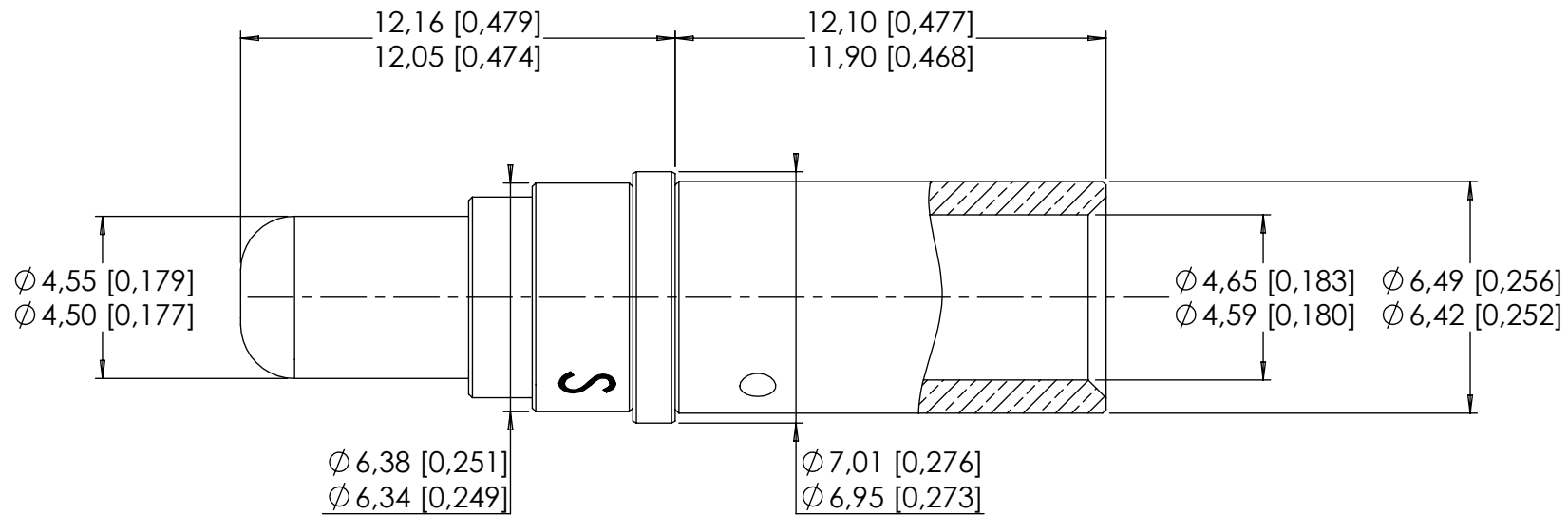
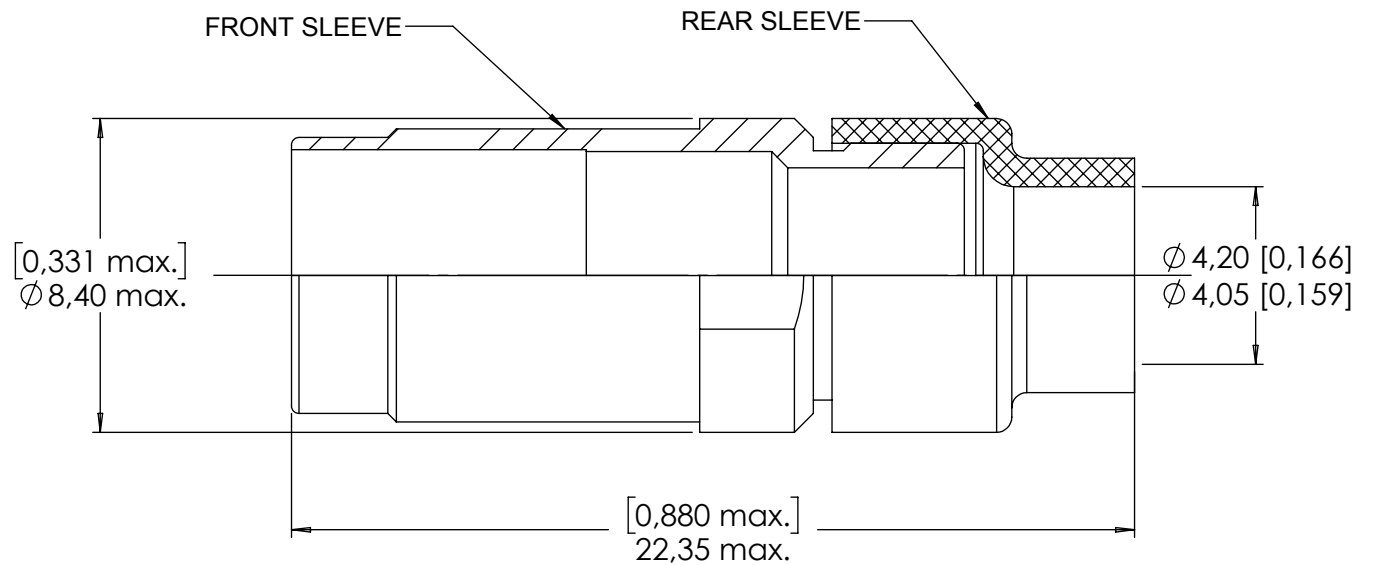
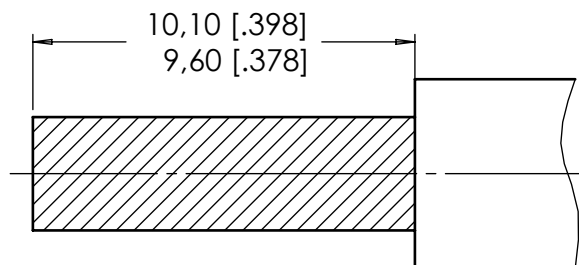


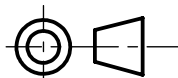
**Series  
EPX**
**ENVIRONMENTAL SIZE 5 POWER CRIMP PIN CONTACT  
FOR AWG 8 CABLE**
**Issue:  
Mar. 09, 2020**
**Page  
1/1**

**Environmental sleeve :**

**Cable stripped length:**

**MATERIALS AND FINISHES :**

- CONTACT BODY : Copper alloy, gold over nickel plated,
- ENVIRONMENTAL SLEEVE :  
Rear: Fluorosilicone  
Front: Thermoplastic

CRIMPING TOOL : M22520/23-01  
 DIE SET : M22520/23-02  
 LOCATOR : RADIALL P/N: 282557020  
 EXTRACTION TOOL : M81969/28-01, RADIALL P/N: 282946

**NOTE:**

- Environmental sleeve used with cable diameter from  $\varnothing 4,79$  [0,189] to  $\varnothing 5,76$  [0,227]

**DIMENSIONS : mm (inch are given for information only)**


Estimated weight : 4,95 g

<b>CREATION</b>  PEN: M060400115A  NOM: PAILOT N. DATE: Nov 27, 2006 APPR.: PESSARD M.				
	Mar. 09, 20	Removed the note: PRODUCT NOT QUALIFIED	LOPEZ C.	WEIHS H.
	Aug. 23, 18	Updated information to be conform with similar TDS: 617280 & 617939002	Lopez C.	WeihS H.
	Apr. 24, 18	Updated inch dimensions.	WeihS H.	Moutault W.
	Dec. 17, 12	Intermediaire sealing Boot : suppression of color	Delclaud	Legloahec
	Issue	Revisions	Name	Approved