

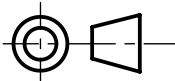
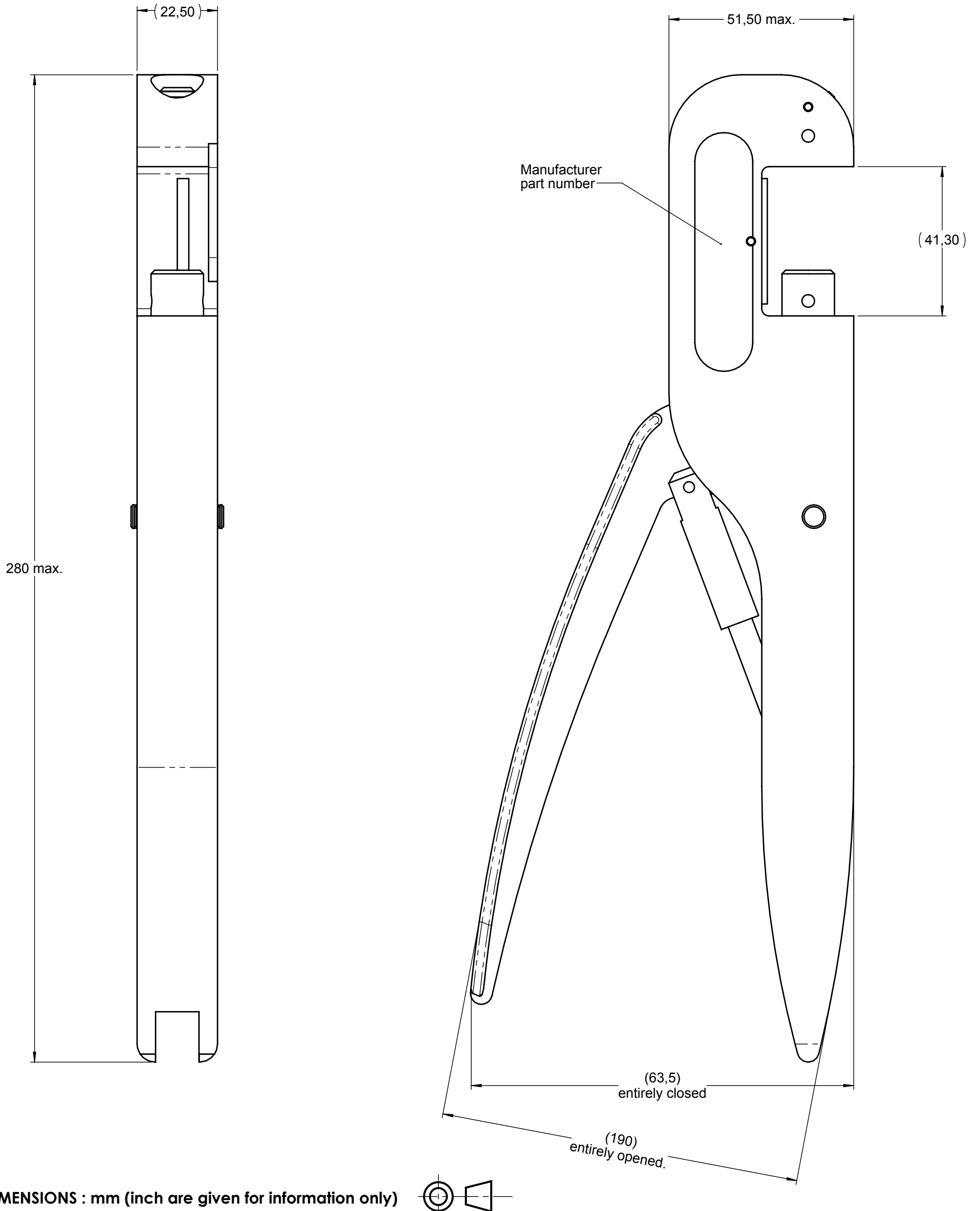
Series

CRIMPING TOOL
M22520/5-01

Issue:
Sept. 22, 2016

Page
1/1

This document contains proprietary information and such information shall not be disclosed to any third party for any purpose whatsoever or used for manufacturing purposes without prior written agreement from RADIALL. This information is given as an indication. In the continual goal to improve our products, we reserve the right to make any modifications judged necessary.



CREATION PEN: NOM: FALETI DATE: July 22, 1981 APPR.:				
	Sept. 22, 16	English translation	Branjonneau V.	Legendre T.
	Issue	Revisions	Name	Approved