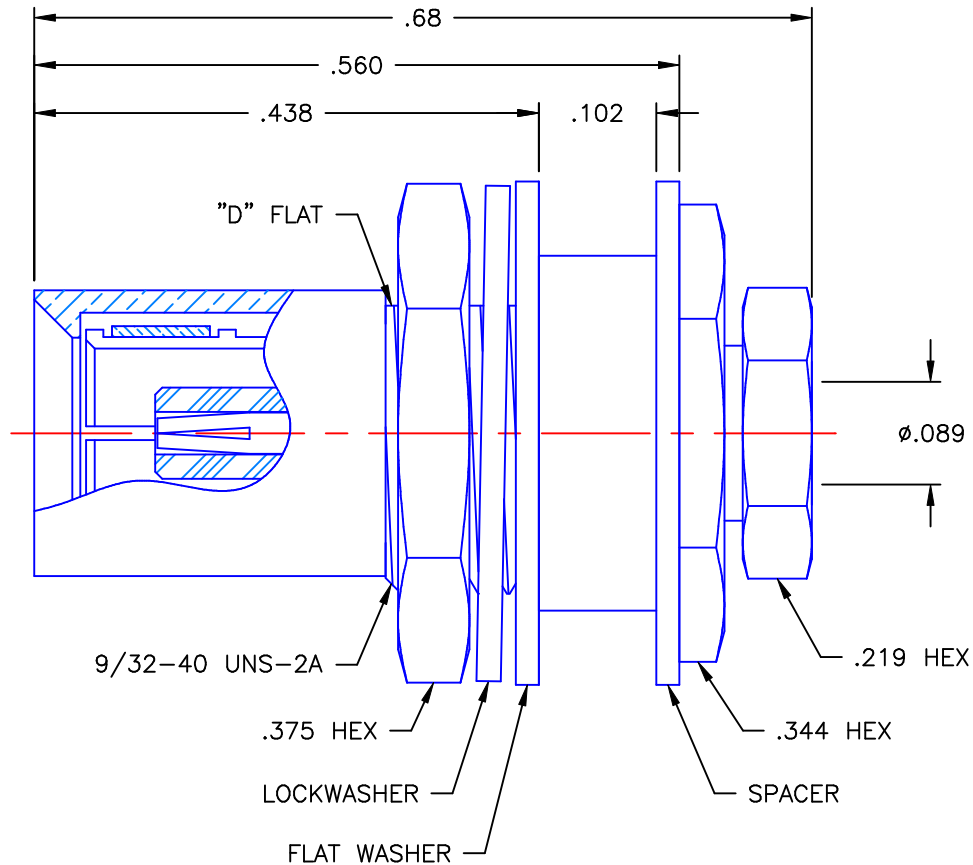


PROPRIETARY INFORMATION  
 NOT TO BE RELEASED  
 WITHOUT WRITTEN PERMISSION  
 FROM AN AUTHORIZED  
 REPRESENTATIVE OF  
 APPLIED ENGINEERING PRODUCTS

| REVISIONS |                 |          |          |
|-----------|-----------------|----------|----------|
| REV       | DESCRIPTION     | DATE     | APPROVED |
| A         | INITIAL RELEASE | 04/23/07 | D.N.     |





NOTES:

MATERIALS:

1. INSULATORS = VIRGIN WHITE TEFLON PER ASTM D1710, GRADE 1, TYPE I, CLASS "B".
2. CONTACT & SPRING = BERYLLIUM COPPER PER ASTM B196, ALLOY C17300, TEMPER TD04.
3. LOCKWASHER = PHOSPHOR BRONZE PER ASTM B139, COPPER ALLOY C53400, TEMPER H04.
4. ALL OTHER METAL PARTS = BRASS PER ASTM B16, ALLOY C36000, TEMPER H02.

FINISHES:

1. CONTACT = GOLD PLATE PER MIL-G-45204, TYPE II, CLASS 1, GRADE C, OVER .00010 TO .00020 STRESS FREE SULFAMATE NICKEL PER QQ-N-290.
2. SPRING = NICKEL PLATE PER QQ-N-290, CLASS 1, GRADE G, EXCEPT .0001 TO .0002 THICK OVER .00005 TO .0001 THICK COPPER PER MIL-C-14550.
3. ALL OTHER METAL PARTS = GOLD PLATE PER MIL-G-45204, TYPE II, CLASS 0, GRADE C, OVER .00010 TO .00020 COPPER STRIKE PER MIL-C-14550.

|   |       |                                    |  |  |                           |              |
|---|-------|------------------------------------|--|--|---------------------------|--------------|
| UNLESS OTHERWISE SPECIFIED<br>DIMENSIONS ARE IN INCHES<br>TOLERANCES ON |       | DWN: DATE<br>D.N. 04/23/07         |  <b>APPLIED ENGINEERING PRODUCTS</b><br>104 John W. Murphy Dr.<br>New Haven, CT 06513 |  |                           |              |
|   |       | CHKD: DATE<br>A.D.M. 04/23/07      |  |  |                           |              |
| DECIMAL   | ANGLE | APVD: DATE<br>J.M. 04/23/07        | SLB STRAIGHT FEMALE PLUG<br>BULKHEAD/FLOAT MOUNT FOR .093 PANEL<br>CLAMP TYPE FOR RG-178 SIMILAR CABLES  |  |                           |              |
|   |       |                                    |  |  |                           |              |
| REFERENCE:  |       | MATERIALS & FINISHES:<br>SEE NOTES | SIZE<br>A  | FSCM NO.<br>19505  | DWG. NO.<br>3028-1551-702 | REV<br>A     |
| ORIGINATOR: D.N.<br>DATE: 04/23/07                                      |       |                                    | SCALE 6:1  | THIRD ANGLE PROJECTION  |                           | SHEET 1 OF 1 |

3028-1551-702