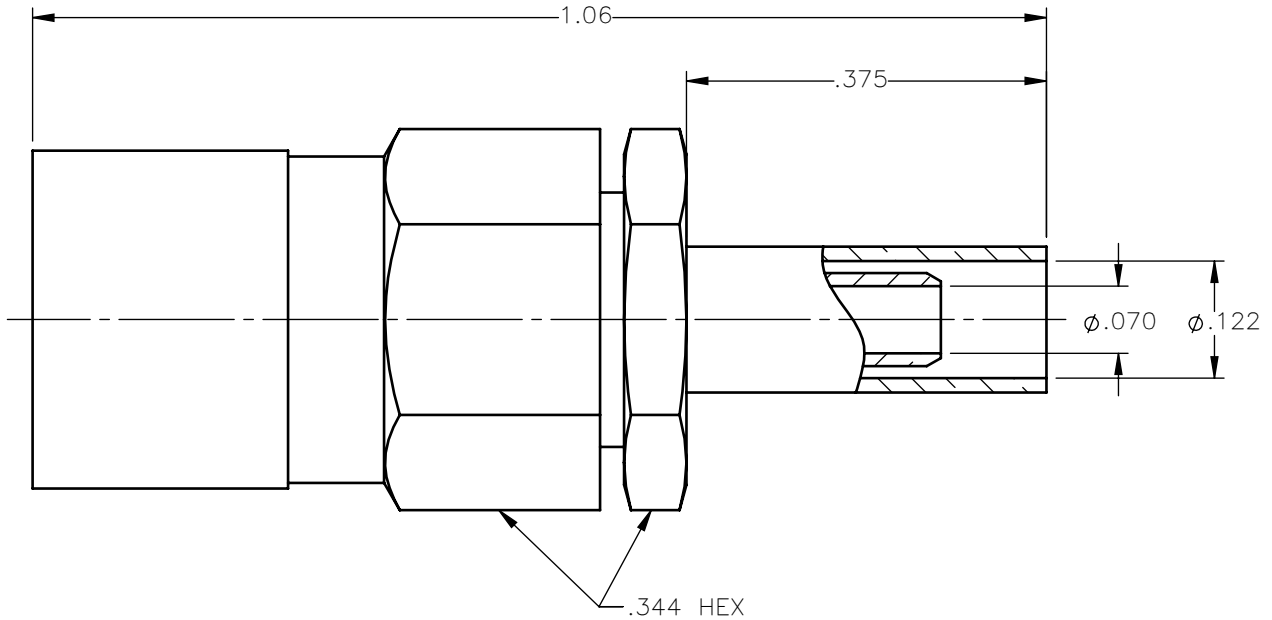
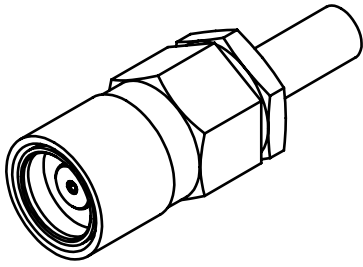


| REVISIONS | | | |
|-----------|-----------------|----------|----------|
| REV. | DESCRIPTION | DATE | APPROVED |
| A | INITIAL RELEASE | 04/11/18 | C.E. |





NOTES:

MATERIALS:

- CONTACT & SPRING = BERYLLIUM COPPER PER ASTM B196, ALLOY C17300, TEMPER TD04.
- INSULATORS = VIRGIN WHITE TEFLON PER ASTM D1710, GRADE 1, TYPE I, CLASS "B".
- CRIMP SLEEVE = SEAMLESS LOWLEAD BRASS TUBE, ALLOY 330, SOFT ANNEAL TEMPER, .025/.060 GRAIN SIZE OR SEAMLESS COPPER TUBE PER ASTM B75, TYPE C12000, TEMPER: LIGHT ANNEAL O50 EXCEPT YIELD STRENGTH.
- ALL OTHER METAL PARTS = BRASS PER ASTM B16, ALLOY C36000, TEMPER H02.

FINISHES:

- CONTACT = GOLD PLATE PER ASTM B488-11, TYPE II, 50µin MIN, GRADE C, OVER 100 TO 200µin STRESS FREE SULFAMATE NICKEL PER AMS-QQ-N-290.
- SPRING = NICKEL PLATE PER AMS-QQ-N-290, CLASS 1, GRADE G, EXCEPT 100 TO 200µin THICK OVER 50 TO 100µin THICK COPPER PER AMS 2418.
- ALL OTHER METAL PARTS = GOLD PLATE PER ASTM B488-11, TYPE II, 30µin MIN, GRADE C OVER 100 TO 200µin COPPER STRIKE PER AMS 2418.

| | | | | | |
|-------------------------------------------------------------------|-----------------------|----------------|------------------------------------------------------------------------------------------------------------------------------------------------------------------------------------------------------------------------------------|---------------------------------------------------------------------------------------|----------------|
| UNLESS OTHERWISE SPECIFIED DIMENSIONS ARE IN INCHES TOLERANCES ON | DWN: C.E. | DATE: 04/11/18 |  Property of Radiall This document cannot be reproduced or communicated to a third party without prior written permission of RADIALL. |  | |
| | CHKD: | DATE: 04/11/18 | | | |
| DECIMAL | ANGLE | D.N.: | 75 OHM SNAP-ON STRAIGHT FEMALE PLUG CRIMP TYPE FOR RG-316 & SIMILAR CABLES | | |
| | | APVD: J.M. | | | DATE: 04/11/18 |
| REFERENCE: | MATERIALS & FINISHES: | SIZE: A | FSCM NO.: 19505 | DWG NO.: 2702-1571-003 | REV: A |
| ORIGINATED: C.E. DATE: 04/11/18 | SEE NOTES | SCALE: 5:1 | THIRD ANGLE PROJECTION | | SHEET 1 OF 1 |

2702-1571-003