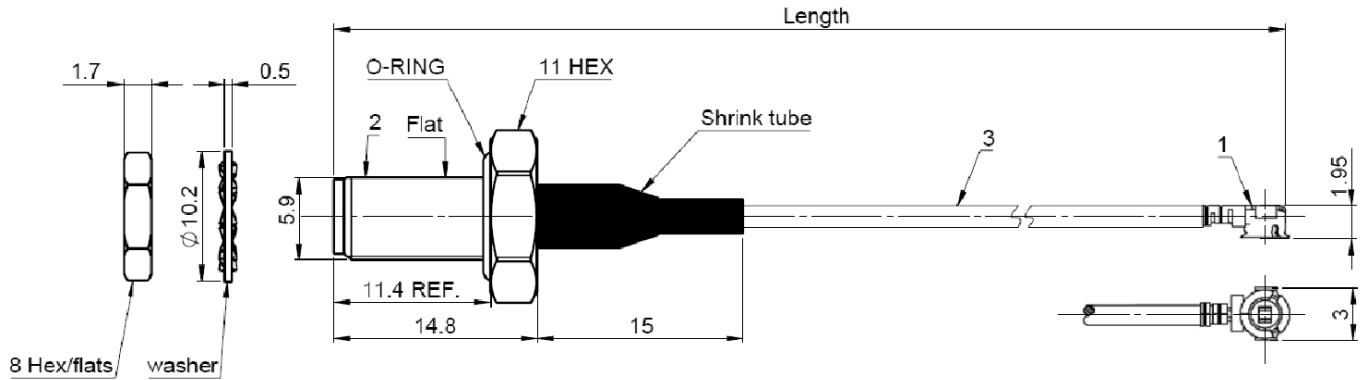
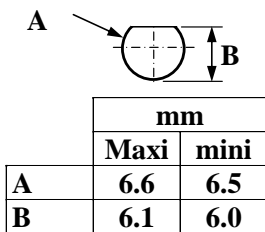


PAGE 1/1	ISSUE 16-04-15A	SERIES MML	PART NUMBER <b>R302255006 XXX</b>
----------	-----------------	------------	-----------------------------------



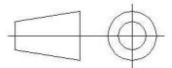
**PANEL CUT OUT**



Length=XXX	Step	Tolerance
40 to 100	10	±2
110 to 200		±3
225 to 300	25	±5
325 to 400		±10

E.g. XXX=060 means length is 60±2, the part number is R302255006 060

All dimensions are in mm.



- \* 1 \* Connector A : **MML H2.5 PLUG (gold plated)**
  - \* 2 \* Connector B : **RP SMA JACK BULKHEAD PANEL SEAL (gold plated)**
  - \* 3 \* Cable **1.37/50S BLACK**
- Type

**ELECTRICAL CHARACTERISTICS**

Impedance	<b>50</b>	Ω
Frequency	<b>0-6</b>	GHz
Operating temperature	<b>-40/+90</b>	° C
VSWR	<b>1.3** + 0.000</b>	x F(GHz) Maxi
Insertion loss	<b>0.73*</b>	√F(GHz) dB Maxi
Voltage rating	<b>200</b>	Veff Maxi
Dielectric withstanding voltage	<b>300</b>	Veff mini
Insulation resistance	<b>500</b>	MΩ mini

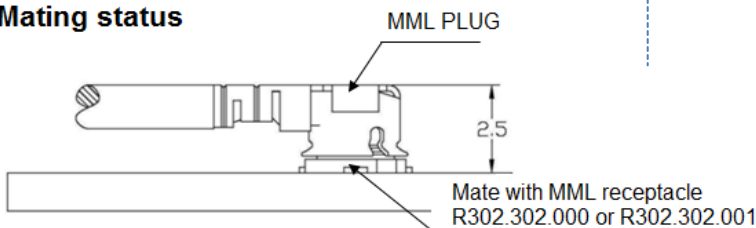
**SPECIFICATION**

Weight	<b>3.000</b>	g
Cable retention	<b>19.6***</b>	N mini

Others  
**\*\*VSWR up to 3GHz 1.3 max  
up to 6GHz 1.5 max**

\*\*\*Retention, axial pull back

**Mating status**



Length	*Insertion loss(Maxi)	*Weight(Maxi)
40 to 100	0.73 dB	3.00 g
110 to 200	1.16 dB	3.5 g
225 to 400	2.02 dB	4.10 g