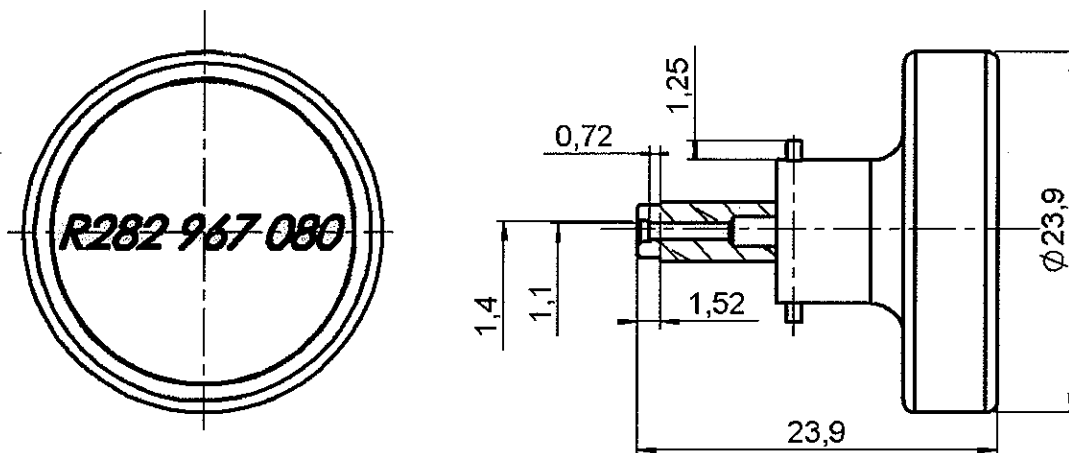


POSITIONER FOR  
TOOL R282.281

**R282.967.080**

Series : OUT



pn

an



Issue : 0036A

In the effort to improve our products, we reserve the right to make changes judged to be necessary.

