

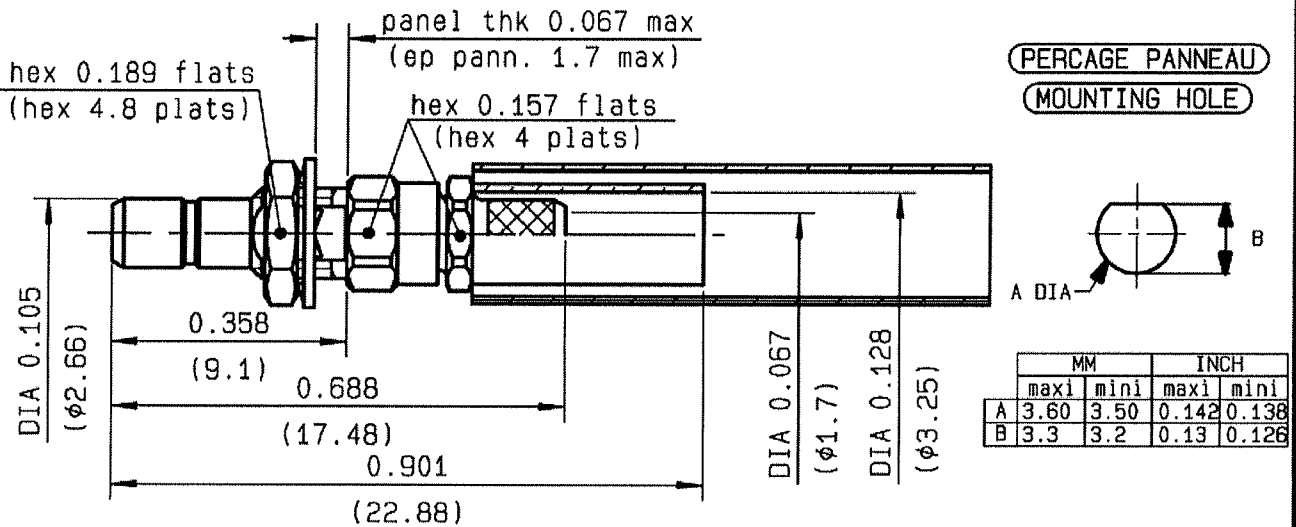
STRAIGHT BULKHEAD JACK CRIMP TYPE

R203.317.000

CABLE 2.6/50 S

SERIES

SSMB



NOMINAL IMPEDANCE	50 Ω
FREQUENCY RANGE	0-4 GHz
TEMPERATURE RATING	-65/+165 °C
V.S.W.R	1.25 + .03 x F(GHz)Max1
RF INSERTION LOSS	0.30 \sqrt{F} (GHz) dB Max1
VOLTAGE RATING	175 Veff Max1
DIELECTRIC WITHSTANDING VOLTAGE	500 Veff Mini
INSULATION RESISTANCE	1000 M Ω Mini
HERMETIC SEAL	NA Atm.cm ³ /s
LEAKAGE (pressurized only)	NA
MECHANICAL DURABILITY	500 Cycles
WEIGHT	1.1 gr
SPECIFICATION	

CABLES : **KX 22A**
RG 188
RG 316

OTHERS CHARACTERISTICS

CABLE RETENTION	90 N Mini
CENTER CONTACT RETENTION	
Axial force - mating end	8 N Mini
Axial force - opposite end	8 N Mini
Torque	NA cm.N Mini
RECOMMENDED TORQUES	
Mating	NA cm.N
Panel nut	25 cm.N
Clamp nut	35.6 cm.N

CONNECTOR PARTS	MATERIALS	FINISH	(all values are given in micrometers)
BODY	BRASS	GOLD 0.5 OVER NICKEL 2	
OUTER CONTACT			
CENTER CONTACT	BERYLLIUM COPPER	GOLD 1.3 OVER NICKEL 2	
INSULATOR	PTFE	-	
GASKET		-	
OTHERS PIECES	BRASS	GOLD 0.5 OVER NICKEL 2	

RAFFAELI

ISSUE
1215B00

CREATION DATE
26/03/1997

FILE PART-NUMBER
97-0400-525



RADIALL®

The information given here is subject to change without notice.
 Design changes may be in order to improve the product.

Connect to the future

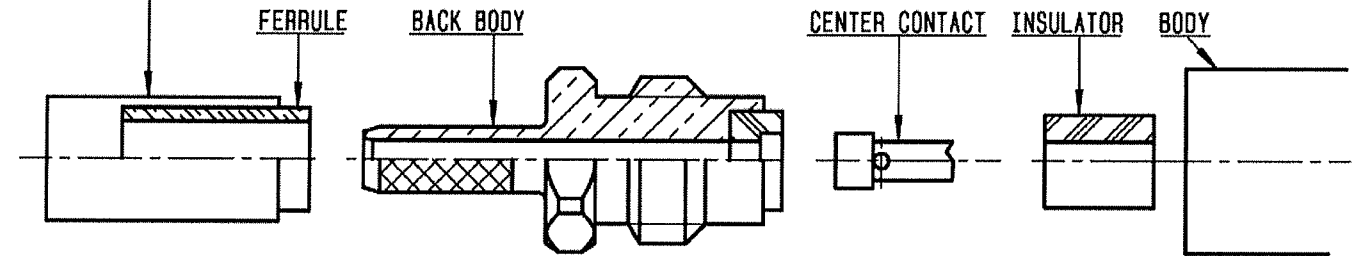


R203.317.000

ISSUE 1215B00

SERIES SSMB

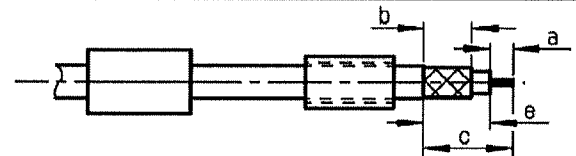
HEATSHRINK SLEEVE



① Slide the ferrule and heatshrink sleeve onto cable. Strip the cable.

-

-

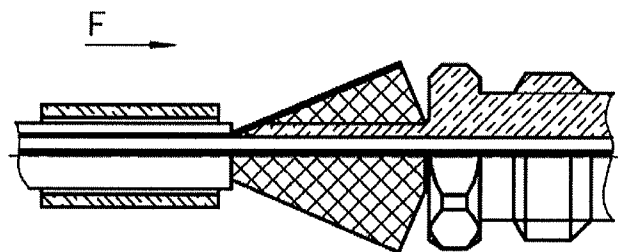


Stripping	a	b	c	d	e
inch	0.161	0.161	0.469	0	0.307
mm	4.1	4.1	11.9		7.8

② Fan the braid. Slide the back body between dielectric and braid. Slide ferrule over the braid (in direction F)

-

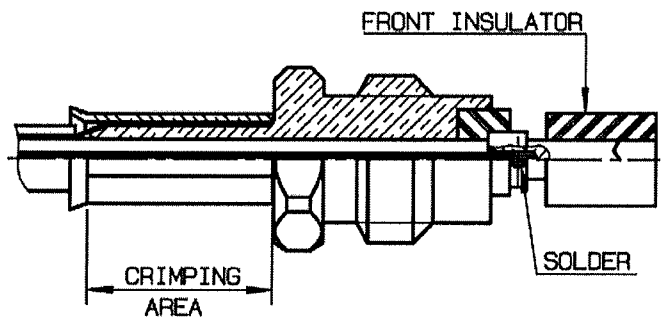
-



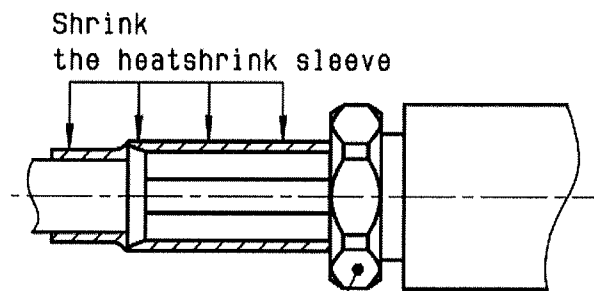
③ Crimp the ferrule with crimping tool R 282 211 000 (Hex. : .128) or crimping tool R282 293 000 (M22520/5-01) and dies R282 235 003 (M22520/5-03) Mount the center contact. Solder the center contact. Mount the front insulator.

-

-



④ Screw sub-assembly into the connector body. (recommended coupling torque 3.15 Inch.lb) Slide sleeve over ferrule and heatshrink in place.



Hex. : .157 /flats