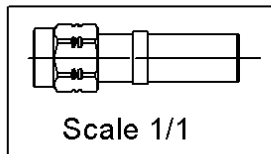
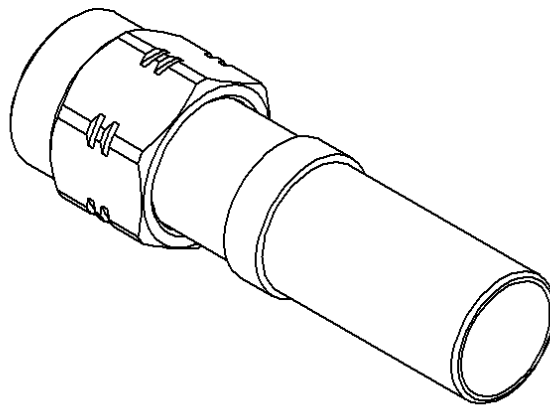
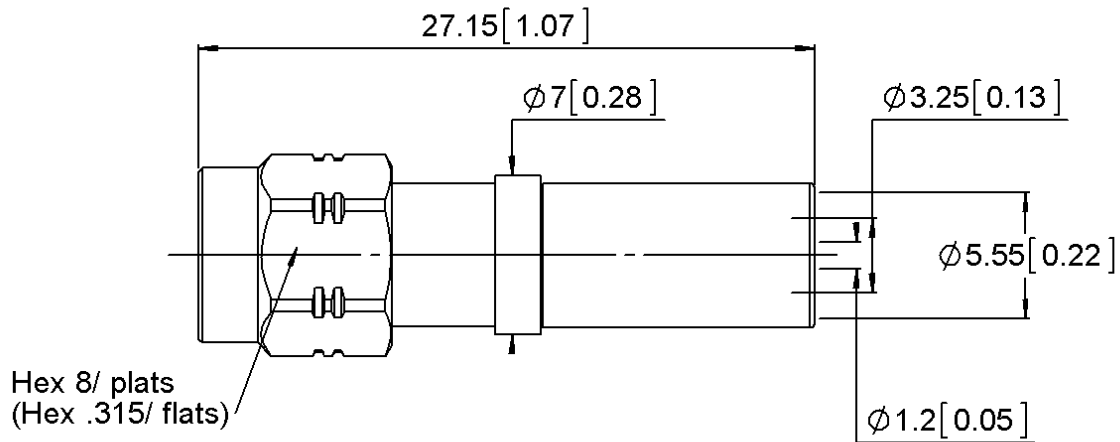


STRAIGHT PLUG FULL CRIMP

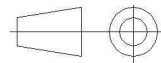
CABLE 5/50S

R124.076.450

Series : SMA-COM



All dimensions are in mm.



COMPONENTS	MATERIALS	PLATING (μm)
BODY	BRASS.	BBR2
CENTER CONTACT	BRASS.	GOLD 1.3 OVER NICKEL 2
OUTER CONTACT		
INSULATOR	PTFE	
GASKET	SILICONE RUBBER	
OTHERS PARTS	BRASS.	BBR2
-	-	-
-	-	-

Issue : 1306 B

In the effort to improve our products, we reserve the right to make changes judged to be necessary.



STRAIGHT PLUG FULL CRIMP

R124.076.450

CABLE 5/50S

Series : SMA-COM

PACKAGING

Standard	Unit	Other
100	'W' option	Contact us

SPECIFICATION

ELECTRICAL CHARACTERISTICS

Impedance		50 Ω
Frequency		0-12.4 GHz
VSWR	TBD +	0,0000 x F(GHz) Maxi
Insertion loss	TBD	√F(GHz) dB Maxi
RF leakage	- (60 - F(GHz)) dB Maxi
Voltage rating		335 Veff Maxi
Dielectric withstanding voltage		1000 Veff mini
Insulation resistance		5000 MΩ mini

CABLE ASSEMBLY

Stripping	a	b	c	d	e	f
mm	4,00	6,30	11,1	0,00	7,10	0,00

Assembly instruction : **Crimp 03***

Recommended cable(s)
 LMR 200
 AEP-200FR

Characteristics indicated on this data sheet are those that can be achieved with the highest performance cable. Intrinsic limitations of the cable may diminish the performance of the assembly

Cable retention

- pull off **180** N mini
 - torque - N.cm

MECHANICAL CHARACTERISTICS

Center contact retention		
Axial force – Mating end	15	N mini
Axial force – Opposite end	15	N mini
Torque	NA	N.cm mini

Recommended torque		
Mating	60	N.cm
Panel nut	NA	N.cm
Clamp nut	NA	N.cm
A/F clamp nut	0,0000	mm

Mating life	100	Cycles mini
Weight	4,8300	g

TOOLING

Part Number	Description	Hexagon
R282.223.000	CRIMPING TOOL	5.41
R282.967.013	POSITIONER FOR CRIMPING TOOL	2X4 POS. 6
R282.281.000	CRIMPING TOOL	

ENVIRONMENTAL

Operating temperature	-65/+165	° C
Hermetic seal	NA	Atm.cm3/s
Panel leakage	NA	

OTHER CHARACTERISTICS

*prior to step two of Crimp 03, slide disk insulator onto center conductor, and bottom contact on disk insulator

Issue : 1306 B

In the effort to improve our products, we reserve the right to make changes judged to be necessary.

