

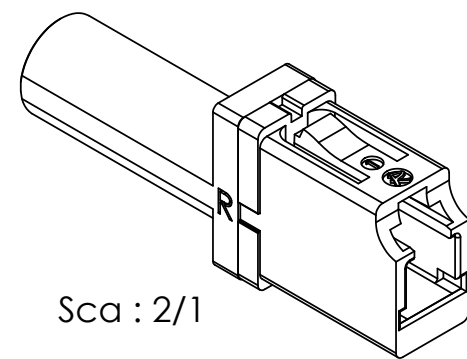
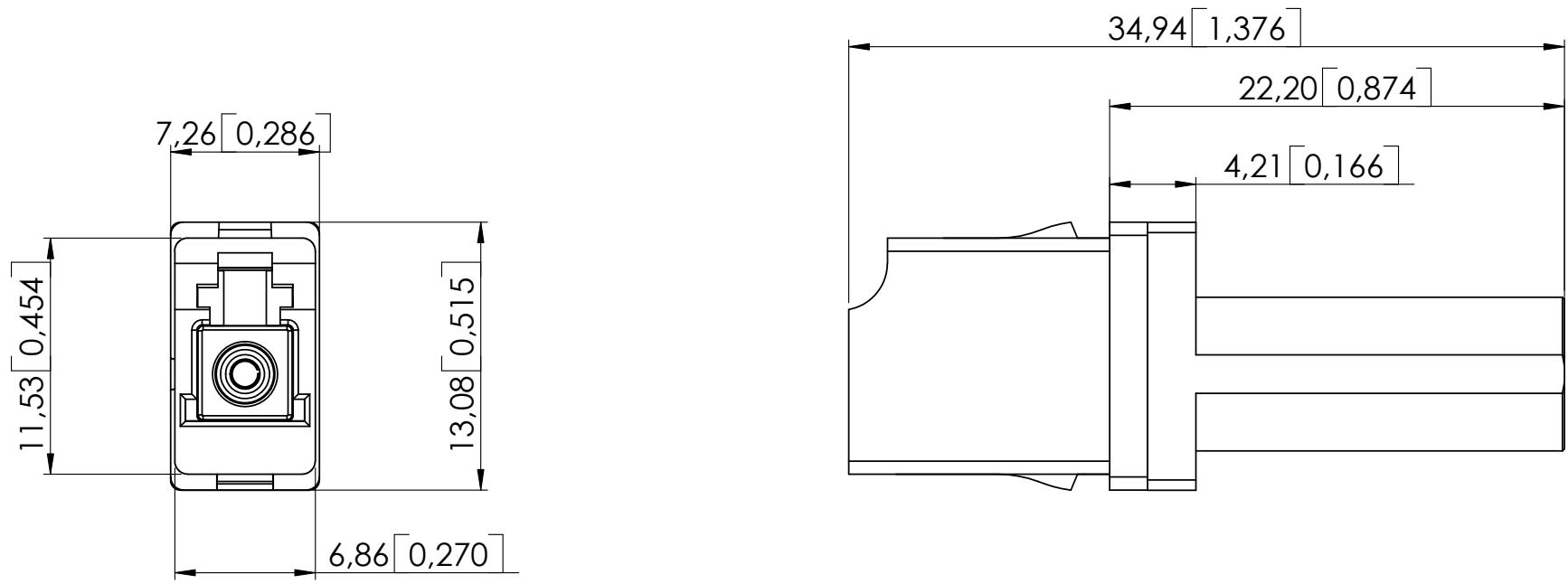


Series
Adapt.

**LC-LUXCIS SINGLEMODE PC
SIMPLEX ADAPTOR NO FLANGE**

Issue:
Oct.04, 2004

Page
1/1



GENERAL

TYPE: Inter series adaptor LC-LUXCIS ML SINGLEMODE
 LC : IEC 61754-20 (LC)
 RJ-45 latching system
 LUXCIS : LuxCis ML contact, mono key
 Zirconia alignment sleeve

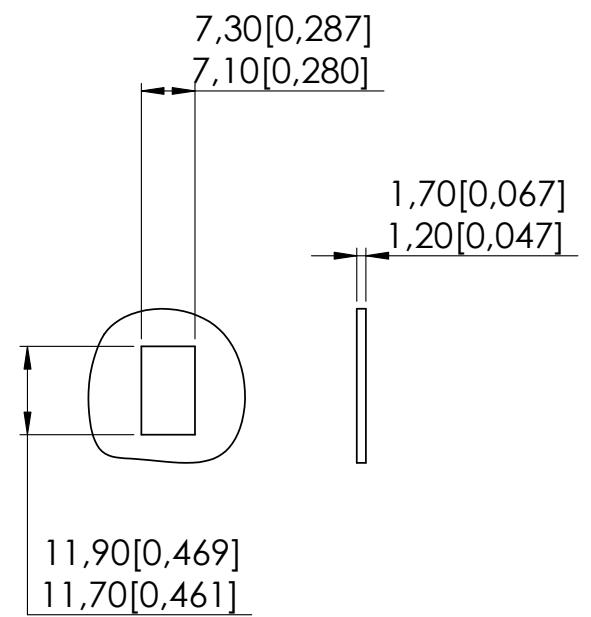
INSERTION/EXTRACTION TOOL: 282 546 (standard M81969/1.03)

PANEL DIMENSIONS: See drawing

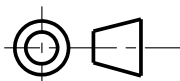
CHARACTERISTICS (Depending on fiber or cable construction)

MECHANICAL: - Mechanical endurance : 200 mating cycles

ENVIRONMENTAL: - Storage temperature -40[°C] to +85[°C]
 - Operating temperature -40[°C] to +70[°C]



DIMENSIONS: mm (inch) -



This information is given as an indication in the continual goal to improve our products, we reserve the right to make any modifications judged necessary.

4112_9311

CREATION				
PEN: M03040059A				
NAME: PHILIPPEAU S				
DATE: June.4,2004	Oct/04/04	Change design	PHILIPPEAU	MANNEVY
APPR.: MARIE A.	07/07/04	Specified singlemode PC no flange and remove for loose cable structure	PHILIPPEAU	MANNEVY
	Issue	Revisions	Name	Approved