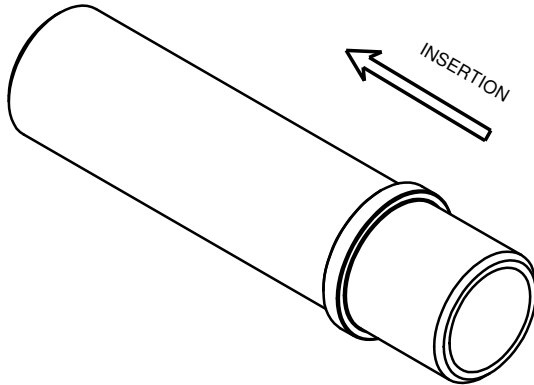


Series
NSX

SIZE 10 FILLER PLUGS

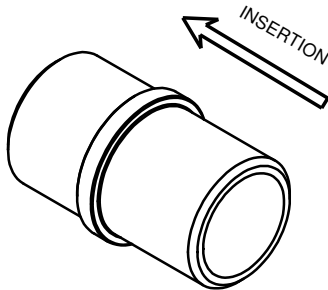
Issue:
Dec. 05, 2008

Page
1/1



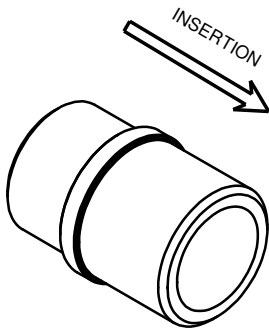
620 939 100

SIZE 10 REAR RELEASE, REAR REMOVABLE FILLER PLUG (AIRPLANE SIDE)
MATERIAL: ALUMINIUM ALLOY PER SAE AMS-QQ-A-250
FINISH: ELECTROLESS NICKEL PER SAE AMS-2404
EXTRACTION TOOL: M81969/14-05



620 939 101

SIZE 10 REAR RELEASE, REAR REMOVABLE FILLER PLUG (EQUIPMENT SIDE)
MATERIAL: ALUMINIUM ALLOY PER SAE AMS-QQ-A-250
FINISH: ELECTROLESS NICKEL PER SAE AMS-2404
EXTRACTION TOOL: M81969/14-05



620 939 102

SIZE 10 FRONT RELEASE, FRONT REMOVABLE FILLER PLUG (EQUIPMENT SIDE)
MATERIAL: ALUMINIUM ALLOY PER SAE AMS-QQ-A-250
FINISH: ELECTROLESS NICKEL PER SAE AMS-2404
EXTRACTION TOOL: RADIALL 282 549 032

DIMENSIONS : mm (inch are given for information only)



This information is given as an indication. In the continual goal to improve our products, we reserve the right to make any modifications judged necessary.

4112_9311

<p>CREATION</p> <p>PEN: 2008-12-2248</p> <p>NOM: MACARI</p> <p>DATE: Dec. 05, 2008</p> <p>APPR.: LEGENDRE</p>					
	Issue	Revisions	Name	Approved	