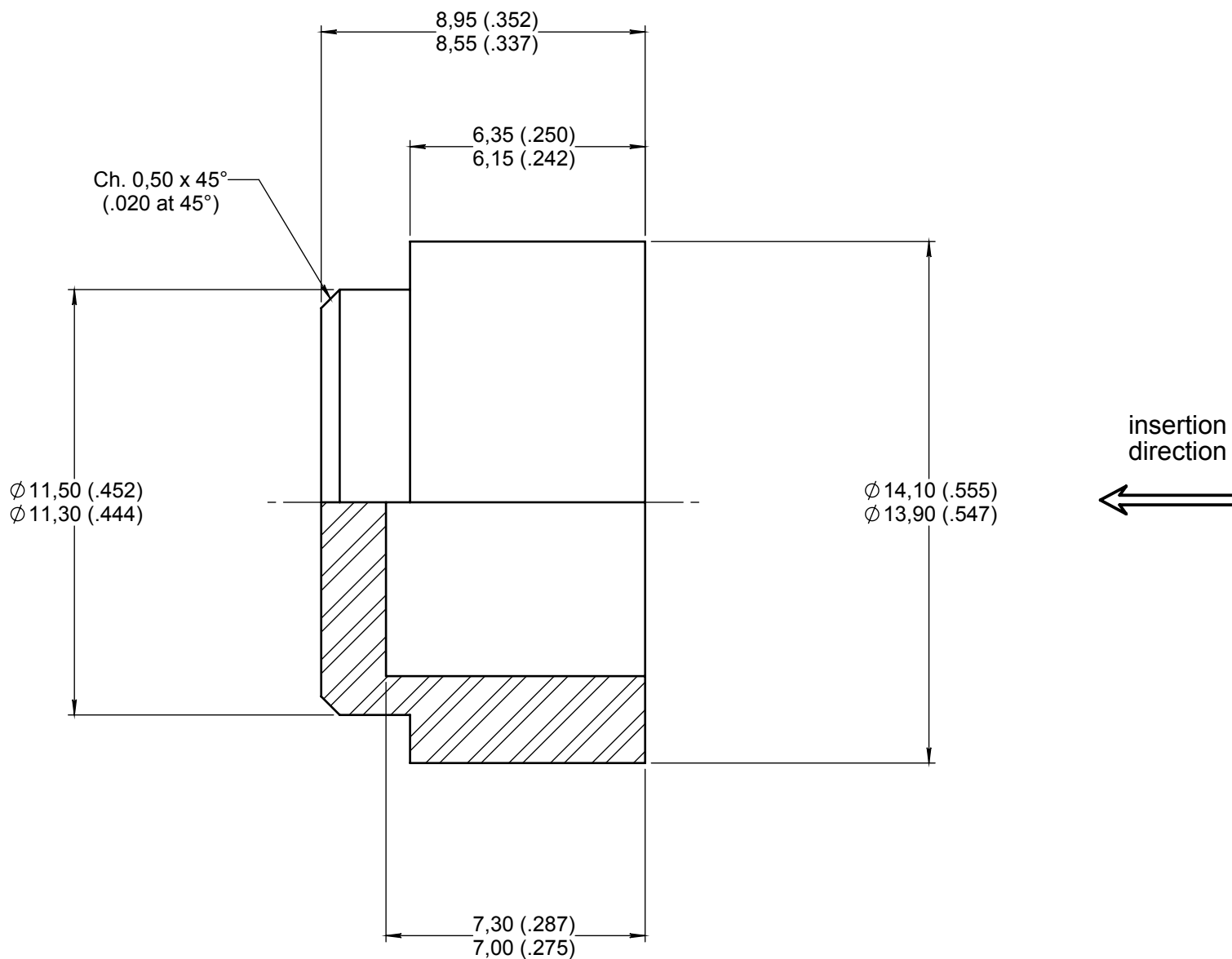


Series

FILLER PLUG SIZE 1
PIN AND SOCKET COAX CAVITY

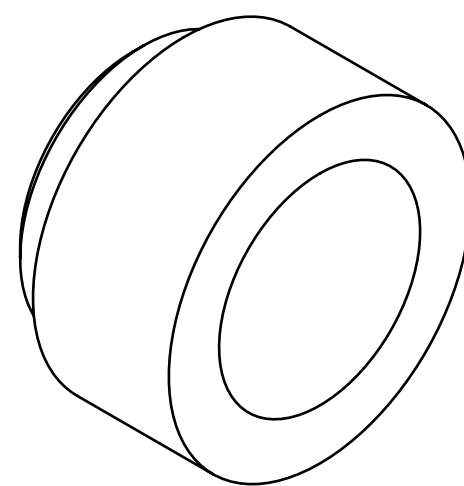
Issue:
June 17, 2015

Page
1/1

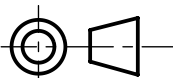


MATERIAL AND FINISHES :

ALUMINIUM ALLOY NICKEL PLATED



DIMENSIONS : mm (inch are given for information only)



Estimated weight : 2 g

CREATION

PEN: /

NOM: FALETTI

DATE: April 18, 1990

APPR.: /

Issue	Revisions	Name	Approved
June 17, 15	Added "insertion direction"	Branjonneau	Legendre
Aug. 04, 14	Updated	Branjonneau	Moutault
July 17, 96	Redrawn - .433/.413 become .352/.337	Pecheux	Valgresy

This document contains proprietary information and such information shall not be disclosed to any third party for any purpose whatsoever or used for manufacturing purposes without prior written agreement from RADIALL. This information is given as an indication. In the continual goal to improve our products, we reserve the right to make any modifications judged necessary.

4112_9311