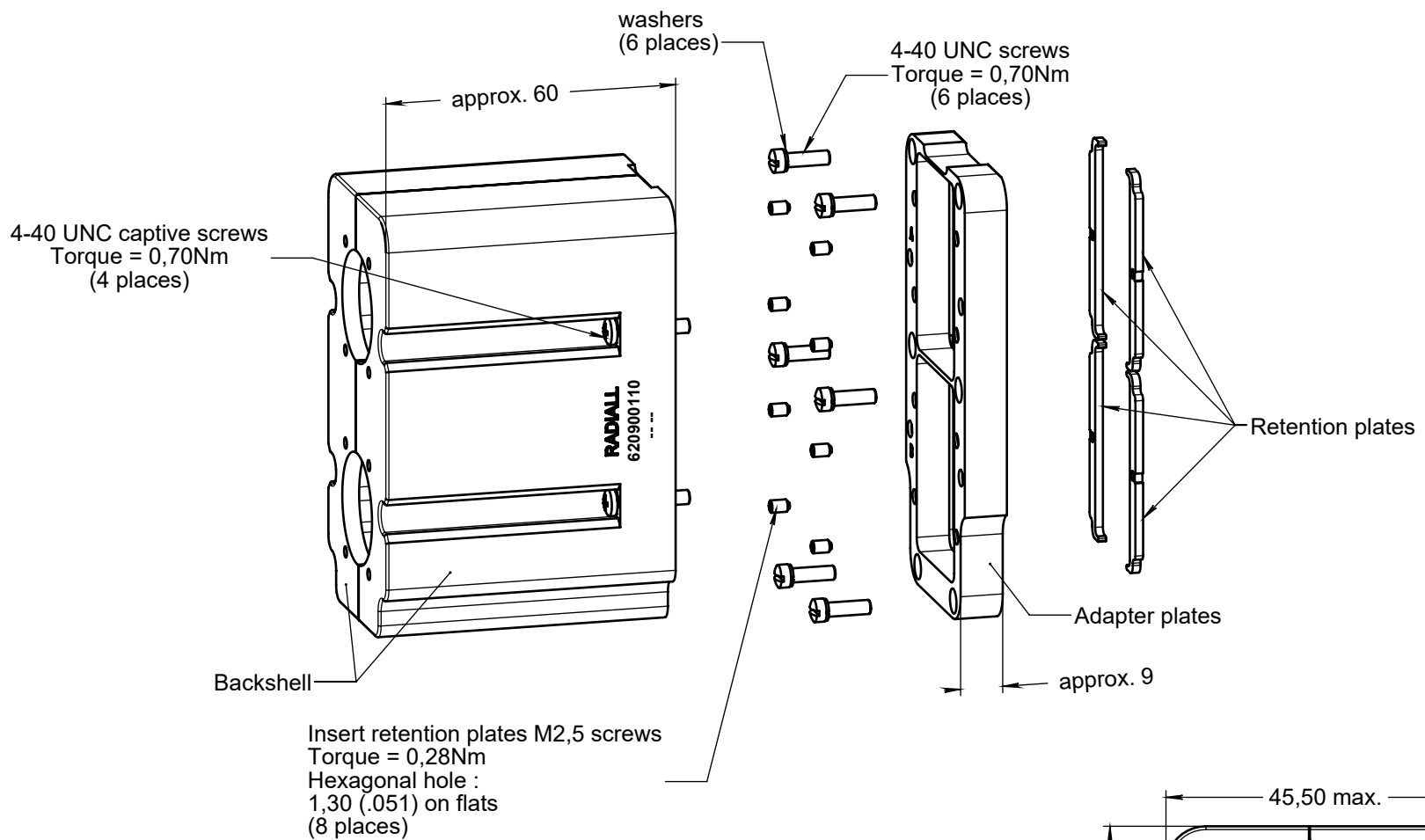


Series  
NSX

Adapter plates and EMI Backshell for ARINC 600 size 2 connectors  
RADIALL standard part number

Issue:  
Sept. 29, 2020

Page  
1/1



**MATERIAL:**

- BACKSHELL : ALUMINUM ALLOY PER SAE AMS-QQ-A-250
- BACKSHELL ADAPTER : ALUMINUM ALLOY PER SAE AMS-QQ-A-250
- INSERT RETENTION PLATES : ALUMINUM ALLOY PER SAE AMS-QQ-A-250
- SCREWS AND WASHERS : CORROSION RESISTANT MATERIAL

**FINISH:**

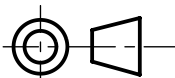
- BACKSHELL : ELECTROLESS NICKEL PER SAE AMS-2404
- BACKSHELL ADAPTER : ELECTROLESS NICKEL PER SAE AMS-2404
- INSERT RETENTION PLATES : ELECTROLESS NICKEL PER SAE AMS-2404

**NOTES:**

- MARKING : BACKSHELL MUST BE MARKED WITH : RADIALL + 620900110 + DATE CODE  
PACKAGING MUST BE MARKED WITH : 620900110 + DATE CODE

FOR INFORMATION : MOUNTING INSTRUCTION : SEE MI BS 20 00000

DIMENSIONS : mm (inch are given for information only)



Estimated weight : 200 g

This document contains proprietary information and such information shall not be disclosed to any third party for any purpose whatsoever or used for manufacturing purposes without prior written agreement from RADIALL. This information is given as an indication. In the continual goal to improve our products, we reserve the right to make any modifications judged necessary.

4112\_9311

<b>CREATION</b>				
<b>PEN:</b> 20001421				
<b>NOM:</b> Legendre T.				
<b>DATE:</b> Sept. 29, 2020				
<b>APPR.:</b> Branjonneau V.				
<b>Issue</b>	<b>Revisions</b>	<b>Name</b>	<b>Approved</b>	

620900110EN

RADIALL PROPRIETARY INFORMATION