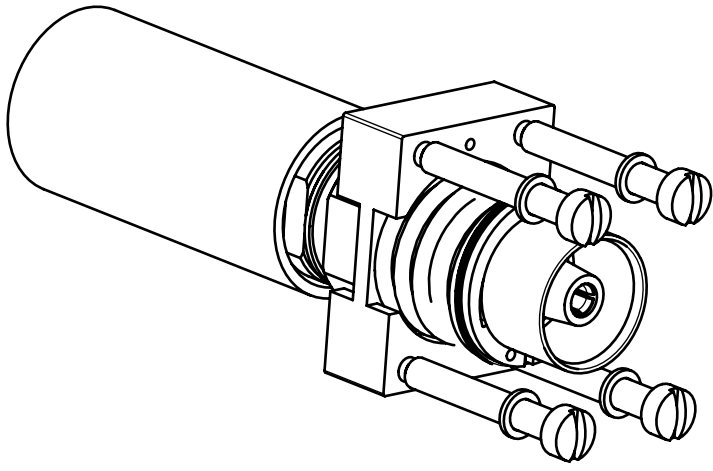


Series
NSX

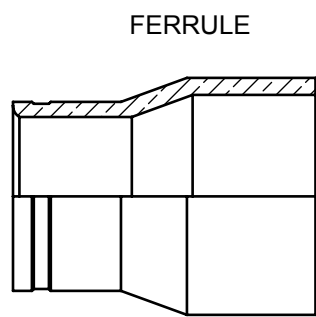
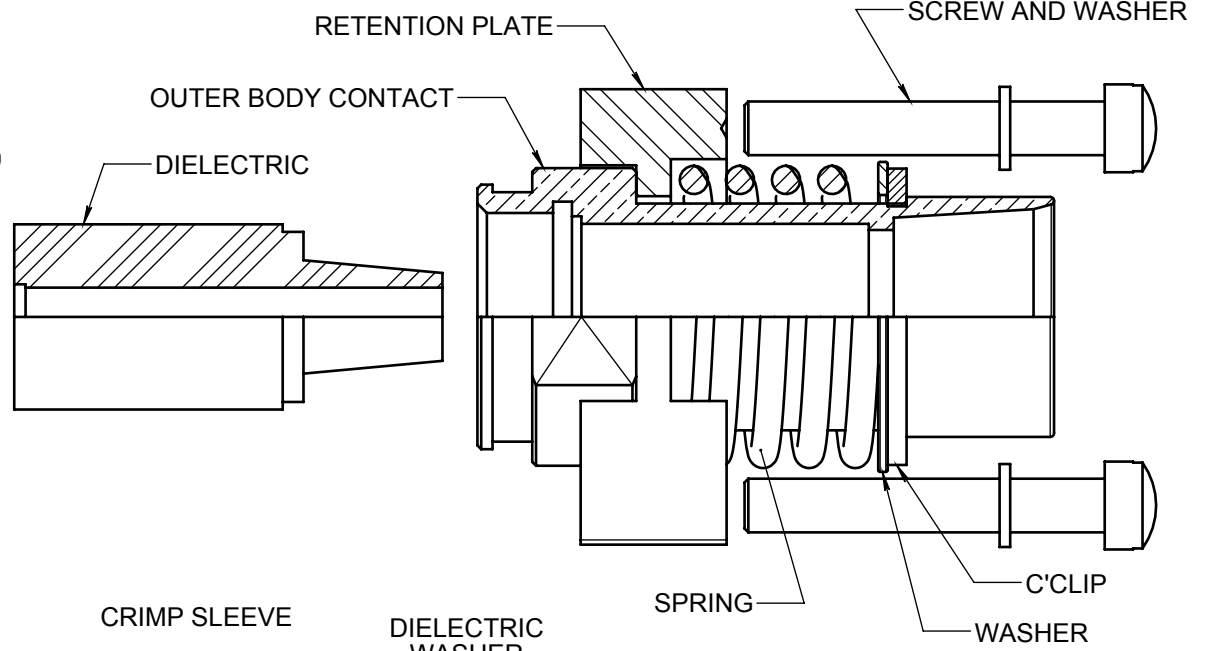
NONENVIRONMENTAL SIZE 1 CRIMP COAXIAL SOCKET CONTACT
FOR ASN-E0406 WD AND ASN-E0692 WN CABLES

Issue:
Sept. 05, 2018

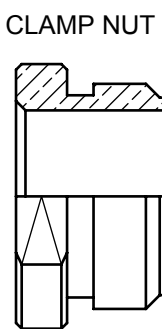
Page
1/1



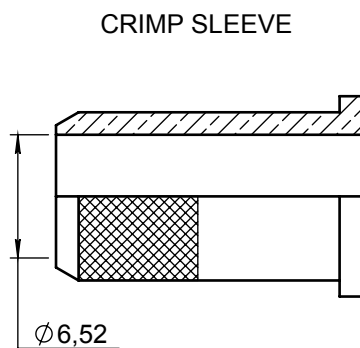
OUTER CONTACT AND RETENTION PLATE SUB ASSEMBLY



FERRULE



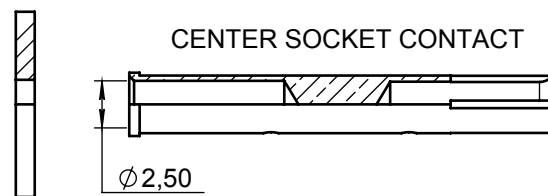
CLAMP NUT



CRIMP SLEEVE

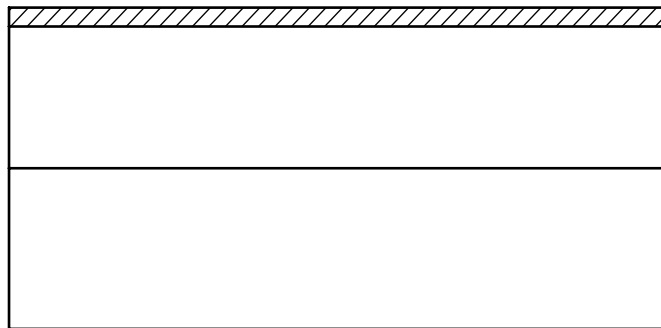
Ø 6,52

DIELECTRIC WASHER



CENTER SOCKET CONTACT

Ø 2,50



SHRINKABLE SLEEVE

MATERIAL :

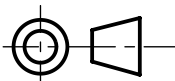
- OUTER CONTACT, FERRULE, CRIMP SLEEVE AND CLAMP NUT : BRASS PER ASTM B 16 OR ASTM B 453 OR EN 12164
- DIELECTRIC AND DIELECTRIC WASHER : PTFE PER ASTM D 1710 OR EQUIVALENT
- CENTER CONTACT : BERYLLIUM COPPER PER ASTM B 194
- SPRING, C'CLIP, SCREWS AND WASHER : CORROSION RESISTANT MATERIAL
- RETAINING BLOCK : ALUMINUM ALLOY PER SAE AMS-QQ-A-250

FINISH :

- OUTER CONTACT BODY, CRIMP SLEEVE, CENTER CONTACT, CLAMP NUT AND FERRULE : PLATING .00005 INCH OF GOLD PER MIL-DTL-45204 OVER NICKEL PER AMS 2403
- WASHER AND C'CLIP : PASSIVATED
- RETAINING BLOCK : BLACK ANODIZED PER MIL-A-8625

WIRING INSTRUCTIONS : SEE RP2799

DIMENSIONS : mm (inch are given for information only)



Estimated weight : 42.54 g

CREATION PEN: 2009-02-2678 NOM: LEGENDRE T. DATE: Feb. 18, 2009 APPR.: BROCHET L.				
	Sep. 05, 18	Updated and added weight	ZUNIGA F.	RAMOS D.
	Jul. 03, 13	Modification of the crimp sleeve inner diameter	LEGENDRE T.	DUPUIS V.
	Feb. 25, 10	Updated ferrule with identification groove, see FEP09-13	LEGENDRE T.	BROCHET L.
	Issue	Revisions	Name	Approved