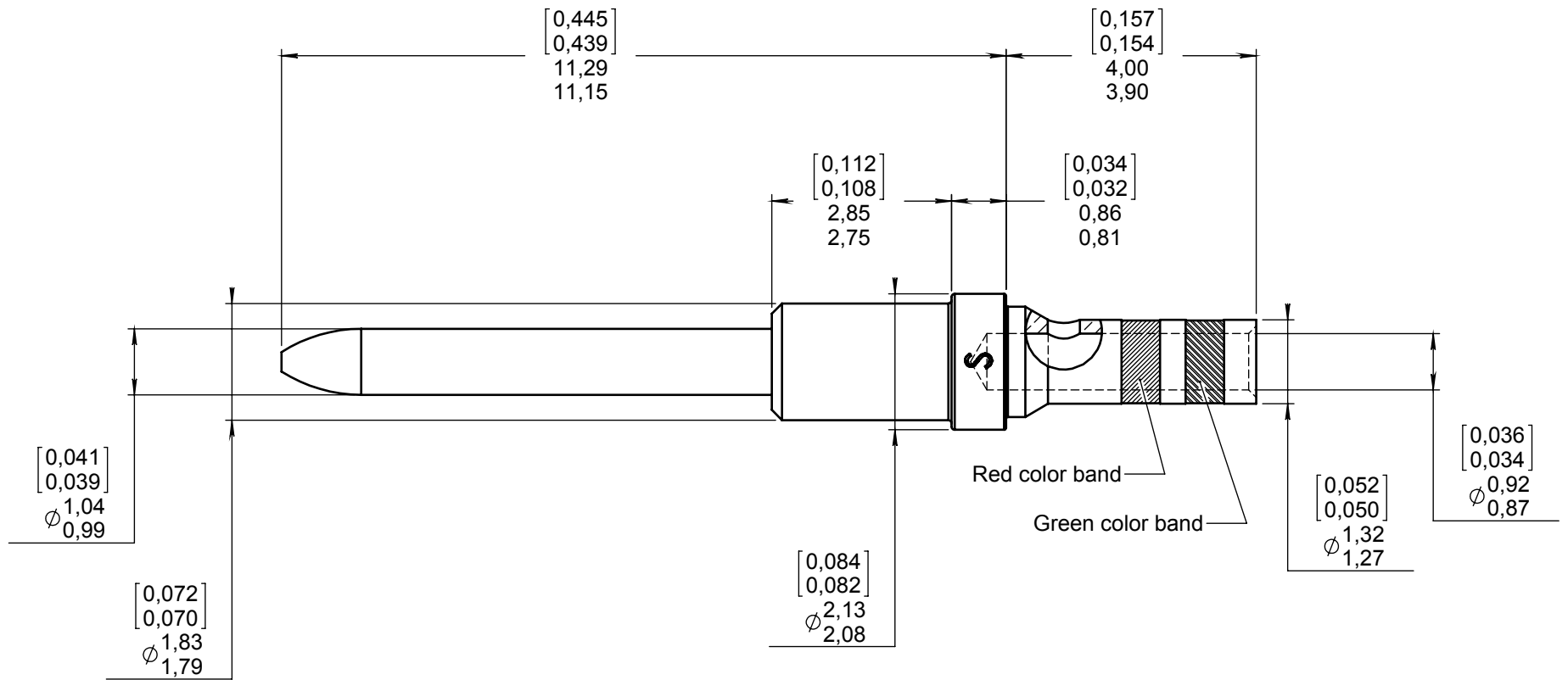


Series
EPXB

 SIZE 20 CRIMP PIN CONTACT
WITH #22 REDUCED CRIMP BARREL

 Issue:
May 2, 2013

 Page
1/1


MATERIAL : COPPER ALLOY

FINISH : GOLD OVER NICKEL

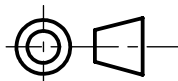
 WIRES ACCOMODATED : AWG 22-24-26
INSULATOR DIAMETER : 1.80 MAX [.071]
STRIP LENGHT : 4 [.158]

 RADIALL TOOLING RECOMMENDATION
CRIMPING TOOL : M22520/2-01 (RADIALL 282 281)
SELECTOR POSITION : 4 FOR AWG 22
3 FOR AWG 24
3 FOR AWG 26

POSITIONER : M22520/2-08 (RADIALL 282 971)

 INSERTION/EXTRACTION TOOL : M81969/1-02 (RADIALL 282 886)
SPL RADIALL INS. 282 881 / EXT. 282 891

DIMENSIONS : mm (inch are given for information only)



Estimated weight : 0.18 g

CREATION

PEN: M060009473A

NOM: PAILOT N.

DATE: Nov 23, 2006

APPR.: PESSARD M.

May 02, 13	Product was not validated & Color bands added	Pailot N	Legloahec
Issue	Revisions	Name	Approved

617224001EN

RADIALL PROPRIETARY INFORMATION