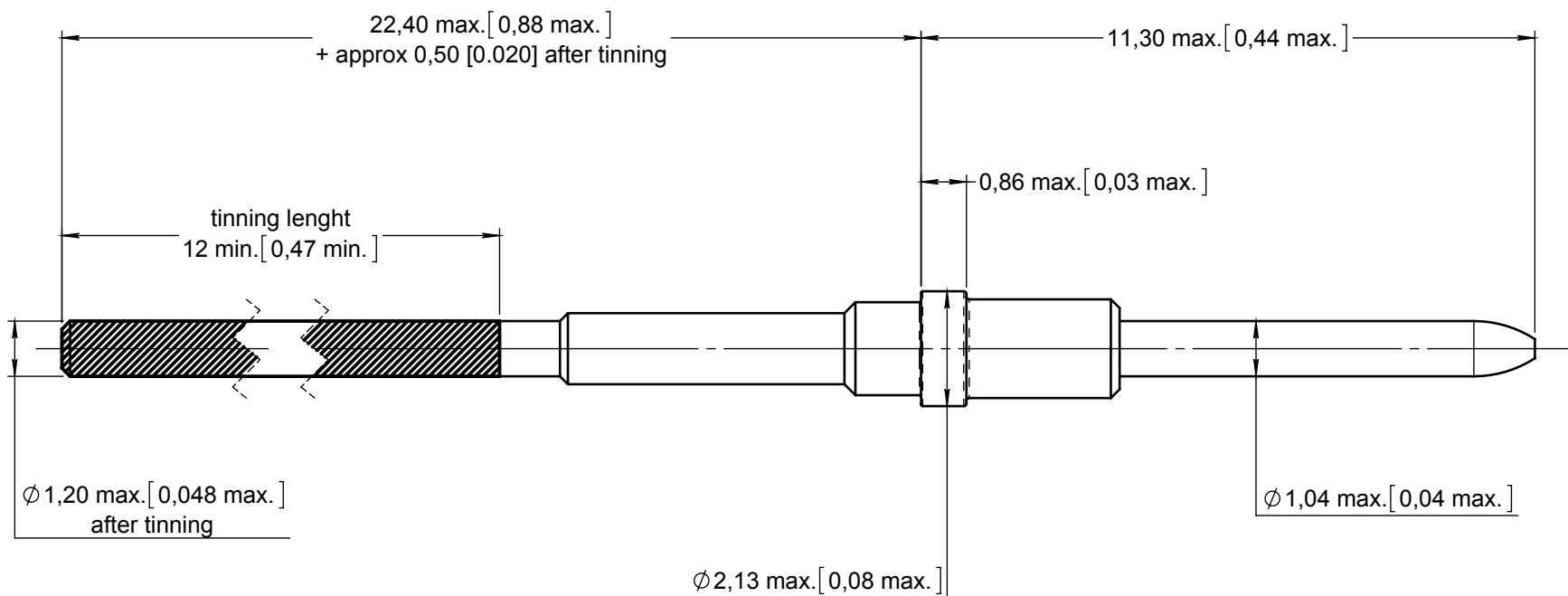


Series
EPXB

SIZE 20 STRAIGHT PC TAIL PIN CONTACT LENGHT ZD
617222010 TIN LAEDED

Issue:
Oct. 09, 2015

Page
1/1

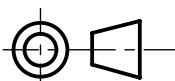


MATERIAL AND FINISHES :

BODY : Copper alloy ; Gold over Nickel plated
PC tail : Tin-leaded (not RoHS)

INS/EXT TOOL : M81969 / 1-02 RADIALL P/N : 282 886

DIMENSIONS : mm (inch are given for information only)



Estimated weight : 0.35 g

CREATION PEN: / NOM: MOUTAULT W. DATE: Oct. 09, 2015 APPR.: VIEIRA D.				
	/	/	/	/
	Issue	Revisions	Name	Approved

This document contains proprietary information and such information shall not be disclosed to any third party for any purpose whatsoever or used for manufacturing purposes without prior written agreement from RADIALL. This information is given as an indication. In the continual goal to improve our products, we reserve the right to make any modifications judged necessary.

4112_9311