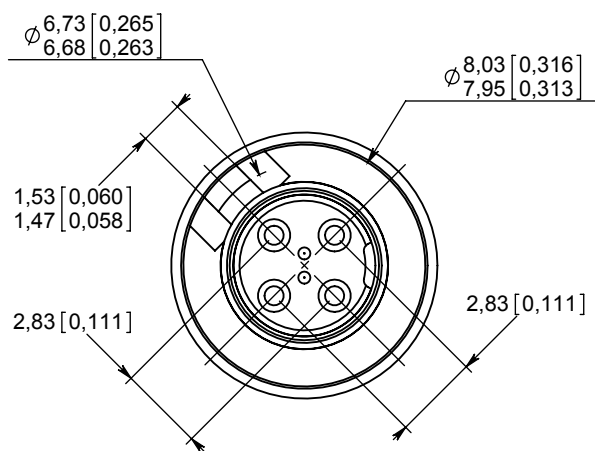
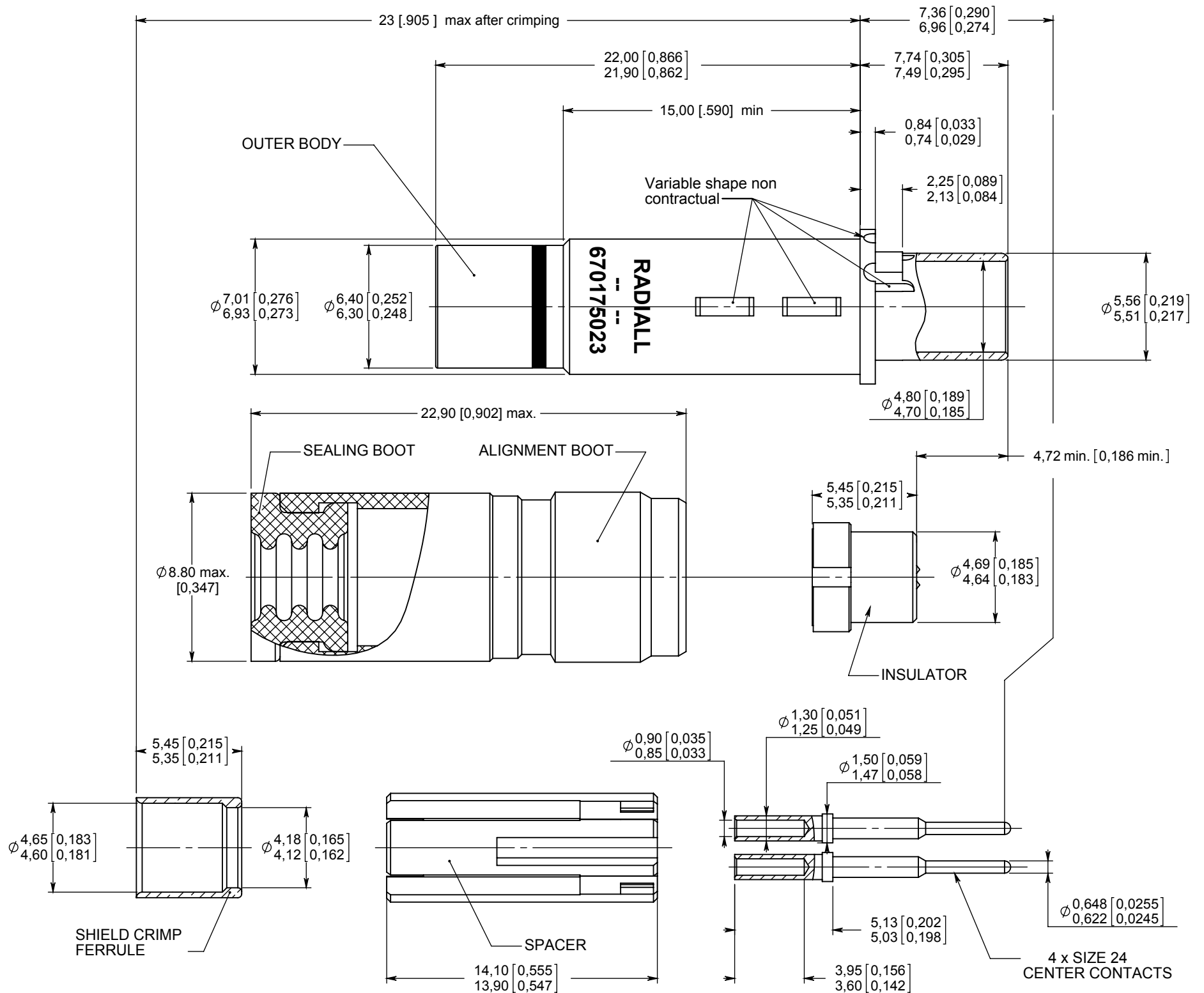


Series  
**670**

SIZE 8 PIN QUADRAX CONTACT  
CRIMP TYPE FOR MIL-DTL-38999 SERIE III CONNECTOR  
ABS 1503KD24 or GSC01 81869-01 or PIC E50424 cables.

Issue:  
Mar. 03, 2016

Page  
**1/1**



### ENGAGING FACE

#### MATERIALS AND FINISHES :

- OUTER BODY: BRASS PER ASTM B 453/B 453M
- CENTER CONTACT: COPPER ALLOY C19160
- FERRULE : BRASS PER ASTM B 455
- INSULATOR : TEFLON PFA PER ASTM D 3307-00 OR PTFE PER ASTM D 1710
- SPACER: PEI ULTEM PER ASTM D 5205
- ALIGNMENT BOOT : PPS PER ASTM D 4067
- SEALING BOOT : FLUOROSILICON PER AMS R 25988

ALL METALLIC PARTS : GOLD PLATE PER SAE AMS 2422 , 50 MICROINCHES MINIMUM OVER A NICKEL PLATE PER SAE AMS-QQ-N-290, CLASS 2 100 MICROINCHES MINIMUM

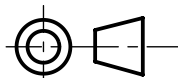
**EXTRACTION TOOL :** M 81969/28-03 OR M81969/14-06 ( RADIALL 282 549 001)

**WIRING INSTRUCTIONS :** SEE RP 58866

#### NOTE:

- MATING INTERFACE AND OUTER DIMENSIONS COMPLIANT TO EN3155-074 STANDARD.
- ESTIMATED WEIGHT: 4,50 gr. [0,1587 ounces].

DIMENSIONS : mm (inch are given for information only)



CREATION	Issue	Revisions	Name	Approved
Mar. 03, 2016		Cable "PIC E50424" added - Estimated weight was 5 gr. Center contact material was C97.	H. Perrin	OPIN X.
PEN: M060106808A	Dec. 21, 2011	Sealing/alignment boot change - Weight added.	H. Perrin	OPIN X.
	12/07/2011	Cable "GSC01 81869-01" added on title.	H. Perrin	Pessard M.
NOM: VAN DEN B.	08/07/2011	Note " MATING INTERFACE..." added. "UNQUALIFIED PRODUCT" note cancelled.	H. Perrin	OPIN X.
DATE: 09/25/2006	25/08/2010	Note " Variable shape non contractual " added. "UNQUALIFIED PRODUCT" note was "QUALIFICATION IN PROGRESS"	H. Perrin	
APPR.: PERRIN H.				

670175023EN

RADIALL PROPRIETARY INFORMATION