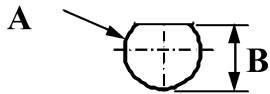
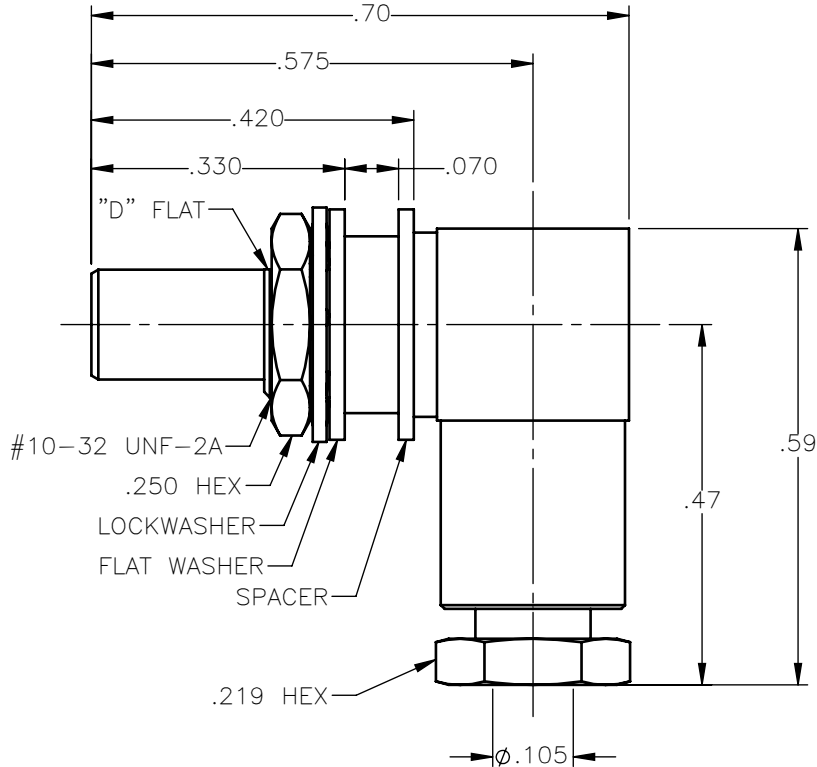


PANEL CUT OUT



| inches | | |
|----------|-------------|-------------|
| | Maxi | mini |
| A | .198 | .192 |
| B | .183 | .177 |

| REVISIONS | | | |
|-----------|-----------------|----------|----------|
| REV. | DESCRIPTION | DATE | APPROVED |
| A | INITIAL RELEASE | 04/16/18 | C.E. |





NOTES:

MATERIALS:

1. INSULATORS = VIRGIN WHITE TEFLON PER ASTM D1710, GRADE 1, TYPE I, CLASS "B".
2. LOCKWASHER = PHOSPHOR BRONZE PER ASTM B139, COPPER ALLOY C53400, TEMPER H04.
3. ALL OTHER METAL PARTS = BRASS PER ASTM B16, ALLOY C36000, TEMPER H02.

FINISHES:

1. CONTACT = GOLD PLATE PER ASTM B488-11, TYPE II, 50 μ in MIN, GRADE C, OVER 100 TO 200 μ in STRESS FREE SULFAMATE NICKEL PER AMS-QQ-N-290.
2. ALL OTHER METAL PARTS = GOLD PLATE PER ASTM B488-11, TYPE II, 30 μ in MIN, GRADE C OVER 100 TO 200 μ in COPPER STRIKE PER AMS 2418.

| | | | | |
|---|-----------------------|----------------|---|--|
| UNLESS OTHERWISE SPECIFIED DIMENSIONS ARE IN INCHES TOLERANCES ON | DWN: C.E. | DATE: 04/16/18 |  Property of Radiall This document cannot be reproduced or communicated to a third party without prior written permission of RADIALL. |  |
| | CHKD: D.N. | DATE: 04/16/18 | | |
| DECIMAL | ANGLE | APVD: J.M. | DATE: 04/16/18 | SLB RIGHT ANGLE MALE JACK BULKHEAD/FLOAT MOUNT CLAMP TYPE FOR RG-178DS & SIMILAR CABLES |
| REFERENCE: | MATERIALS & FINISHES: | SEE NOTES | SIZE: A FSCM NO.: 19505 DWG NO.: 3006-1551-605 REV: A | |
| ORIGINATED: C.E. DATE: 04/16/18 | | | SCALE: 4:1 THIRD ANGLE PROJECTION | |
| | | | SHEET 1 OF 1 | |

3006-1551-605