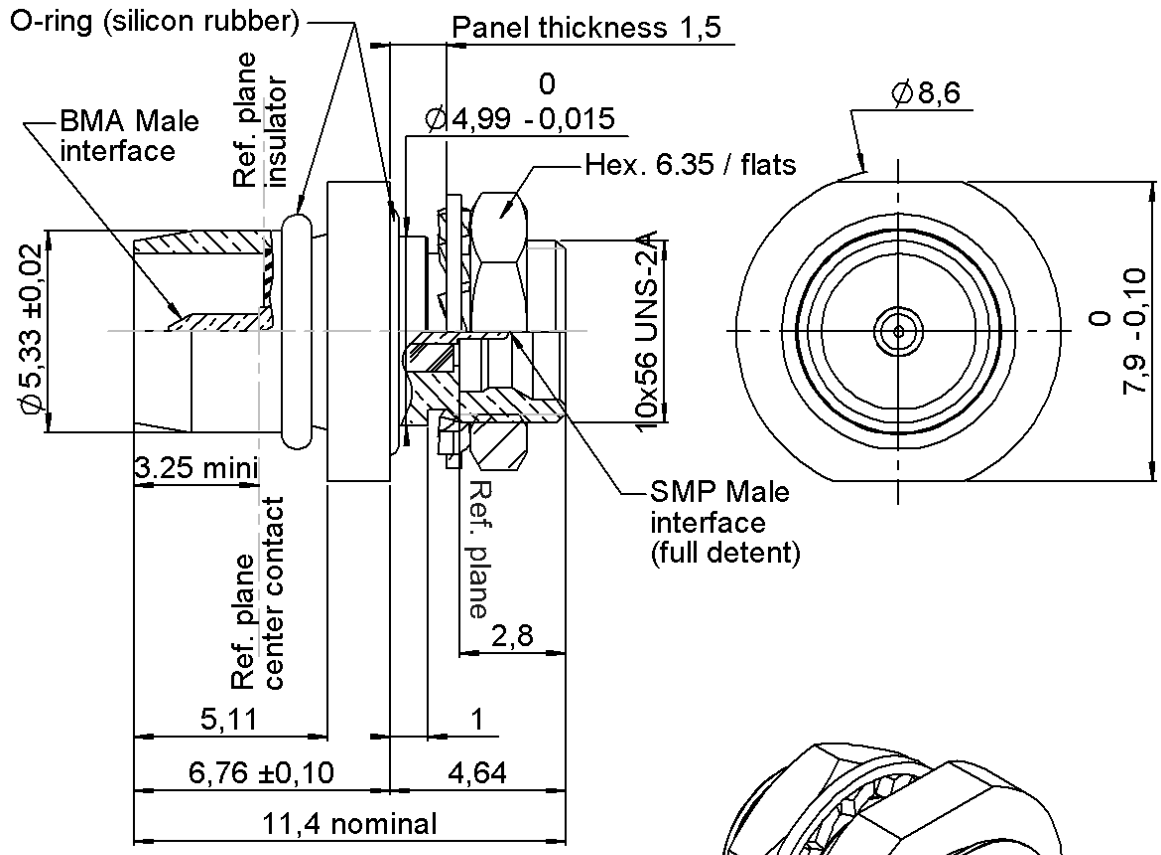
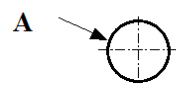


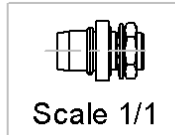
PAGE 1/2	ISSUE 08-09-15A	SERIES ADAPTER	PART NUMBER R191811110
----------	-----------------	-------------------	------------------------



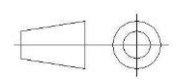
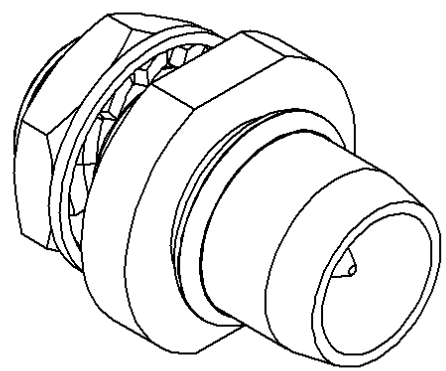
PANEL CUT OUT



mm	
Maxi	mini
A	5.02



All dimensions are in mm.



COMPONENTS	MATERIALS	PLATING (µm)
Body	BRASS	BBR 2
Center contact	BERYLLIUM COPPER	GOLD 1.27 OVER NICKEL 1.27
Outer contact	-	-
Insulator	PTFE	
Gasket	SILICONE RUBBER	
Others parts	BRASS	GOLD 0.2 OVER NICKEL 2
-	-	-
-	-	-

PAGE 2/2	ISSUE 08-09-15A	SERIES ADAPTER	PART NUMBER R191811110
-----------------	------------------------	--------------------------	-------------------------------

PACKAGING

Standard	Unit	Other
1	Contact us	Contact us

ELECTRICAL CHARACTERISTICS

Impedance		50		Ω
Frequency		0-22		GHz
VSWR	1.15	+	0,0000	x F(GHz) Maxi
Insertion loss			0.12	√F(GHz) dB Maxi
RF leakage		- (NA	- F(GHz) dB Maxi
Voltage rating			335	Veff Maxi
Dielectric withstanding voltage			500	Veff mini
Insulation resistance			5000	MΩ mini

ENVIRONMENTAL

Operating	-65/+125	°C
Hermetic seal	NA	Atm.cm3/s
Panel leakage	IP67	

MECHANICAL CHARACTERISTICS

Center contact retention				
Axial force – Mating End		18*		N mini
Axial force – Opposite end		6.68**		N mini
Torque		NA		N.cm mini
Recommended torque				
Mating	BMA		0	N.cm
	SMP		0	N.cm
			0	N.cm
Panel nut			60	N.cm
Mating life		100		Cycles mini
Weight		1,6900		g

SPECIFICATION

OTHER CHARACTERISTICS

***BMA : mating end**
****SMP: mating end**