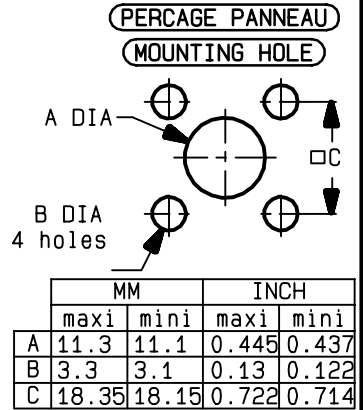
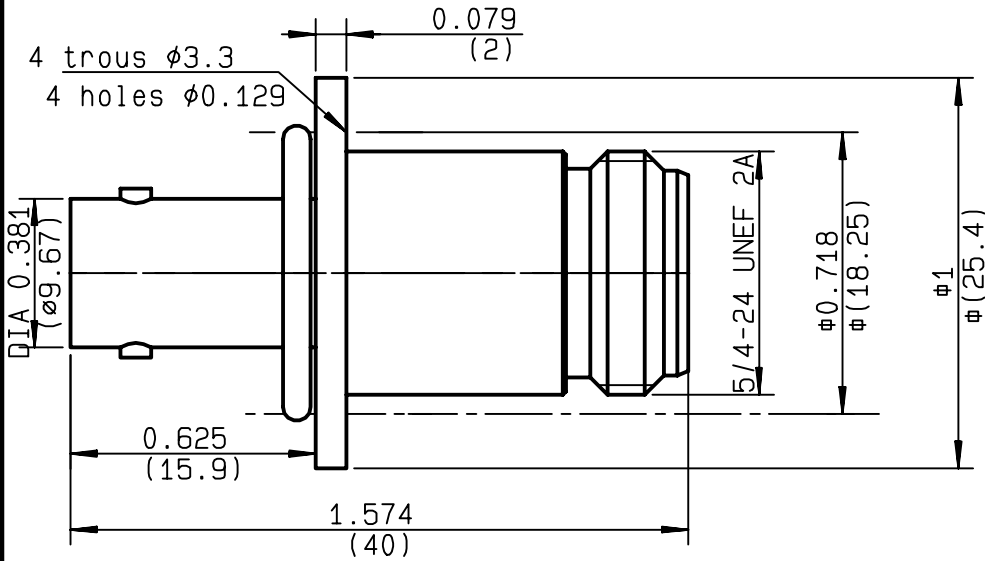


**BNC FEMALE -N FEMALE SQUARE FLANGE
PANEL SEAL STRAIGHT ADAPTER**

R191.426.000
SERIES ADAPT



NOMINAL IMPEDANCE	50 Ω
FREQUENCY RANGE	0-4 GHz
TEMPERATURE RATING	-55/+155 °C
V.S.W.R	1.30 + 0 x F(GHz)Maxi
RF INSERTION LOSS	0.115 √F(GHz) dB Maxi
VOLTAGE RATING	500 Veff Maxi
DIELECTRIC WITHSTANDING VOLTAGE	1500 Veff Mini
INSULATION RESISTANCE	5000 MΩMini
HERMETIC SEAL	NA Atm.cm ³ /s
LEAKAGE (pressurized only)	NA
MECHANICAL DURABILITY	500 Cycles
WEIGHT	28 gr
SPECIFICATION	

CABLES :

OTHERS CHARACTERISTICS

CABLE RETENTION	N Mini
CENTER CONTACT RETENTION	
Axial force - mating end	27 N Mini
Axial force - opposite end	27 N Mini
Torque	NA cm.N Mini
RECOMMENDED TORQUES	
Mating	NA cm.N
Panel nut	NA cm.N
Clamp nut	NA cm.N

CONNECTOR PARTS	MATERIALS	FINISH	(all values are given in micrometers)
BODY	BRASS	NICKEL 2	
OUTER CONTACT	BRASS	NICKEL 2	
CENTER CONTACT	BRONZE, BERYLLIUM COPPER	GOLD 0.5 OVER NICKEL 2	
INSULATOR	PTFE	-	
GASKET	SILICONE RUBBER	-	
OTHERS PIECES			

TRIPIER

ISSUE 0204C00	CREATION DATE 21/07/1981	FILE PART-NUMBER
-------------------------	------------------------------------	------------------



RADIALL®

The information given here is subject to change without notice.
Design changes may be in order to improve the product .

Connect to the future