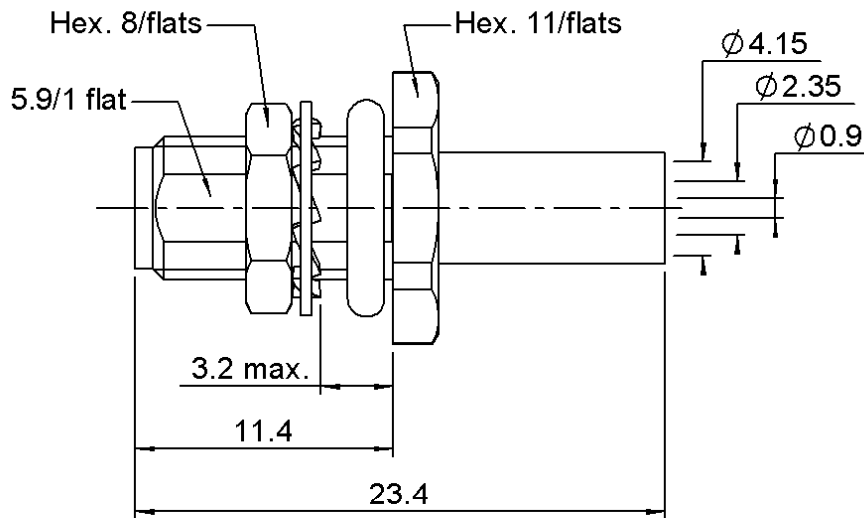


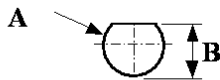
BULKHEAD JACK WITH PANEL SEAL
CRIMP TYPE, CABLE 3.2/50S PACK 100

R124.324.100

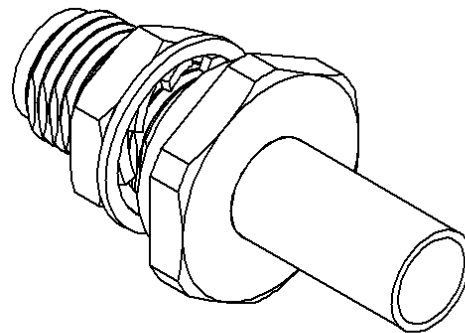
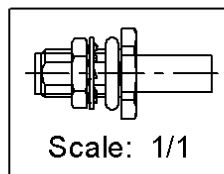
Series : SMA-COM



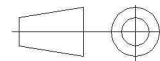
PANEL CUT OUT



	mm	
	Maxi	mini
A	6.5	6.4
B	6.15	6



All dimensions are in mm.



COMPONENTS	MATERIALS	PLATING (µm)
BODY	BRASS	BBR
CENTER CONTACT	BERYLLIUM COPPER	GOLD OVER COPPER
OUTER CONTACT		
INSULATOR	PTFE	
GASKET	SILICONE RUBBER	
OTHERS PARTS	BRASS	BBR, NICKEL
-	-	-
-	-	-

Issue : 1034 A

In the effort to improve our products, we reserve the right to make changes judged to be necessary.



BULKHEAD JACK WITH PANEL SEAL

R124.324.100

CRIMP TYPE, CABLE 3.2/50S PACK 100

Series : SMA-COM

PACKAGING

Standard	Unit	Other
100	'W' option	Contact us

SPECIFICATION

ELECTRICAL CHARACTERISTICS

Impedance		50	Ω
Frequency		0-12.4	GHz
VSWR	1.15 +	0,0200	x F(GHz) Maxi
Insertion loss		0.04	\sqrt{F} (GHz) dB Maxi
RF leakage	- (NA	- F(GHz)) dB Maxi
Voltage rating		250	Veff Maxi
Dielectric withstanding voltage		750	Veff mini
Insulation resistance		5000	M Ω mini

CABLE ASSEMBLY

Stripping	a	b	c	d	e	f
mm	3,60	6,50	11,1	0,00	7,50	0,00

Assembly instruction : **Crimp 01**

Recommended cable(s)

MECHANICAL CHARACTERISTICS

Center contact retention			
Axial force – Mating end		18	N mini
Axial force – Opposite end		18	N mini
Torque		NA	N.cm mini

Characteristics indicated on this data sheet are those that can be achieved with the highest performance cable. Intrinsic limitations of the cable may diminish the performance of the assembly

Cable retention

- pull off	90	N mini
- torque	NA	N.cm

TOOLING

Recommended torque			
Mating		NA	N.cm
Panel nut		150	N.cm
Clamp nut		NA	N.cm
A/F clamp nut		0,0000	mm

Part Number	Description	Hexagon
.	.	.

Mating life		100	Cycles mini
Weight		4,2880	g

OTHER CHARACTERISTICS

ENVIRONMENTAL

Operating temperature		-65/+165	$^{\circ}$ C
Hermetic seal		NA	Atm.cm3/s
Panel leakage		NA	

Issue : 1034 A

In the effort to improve our products, we reserve the right to make changes judged to be necessary.

