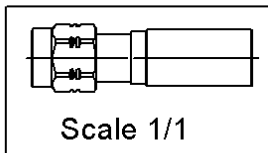
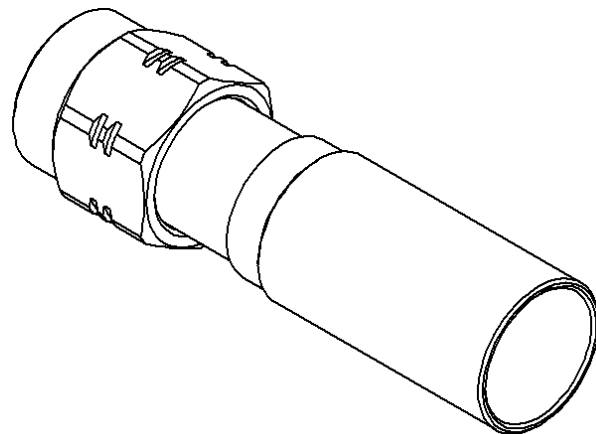
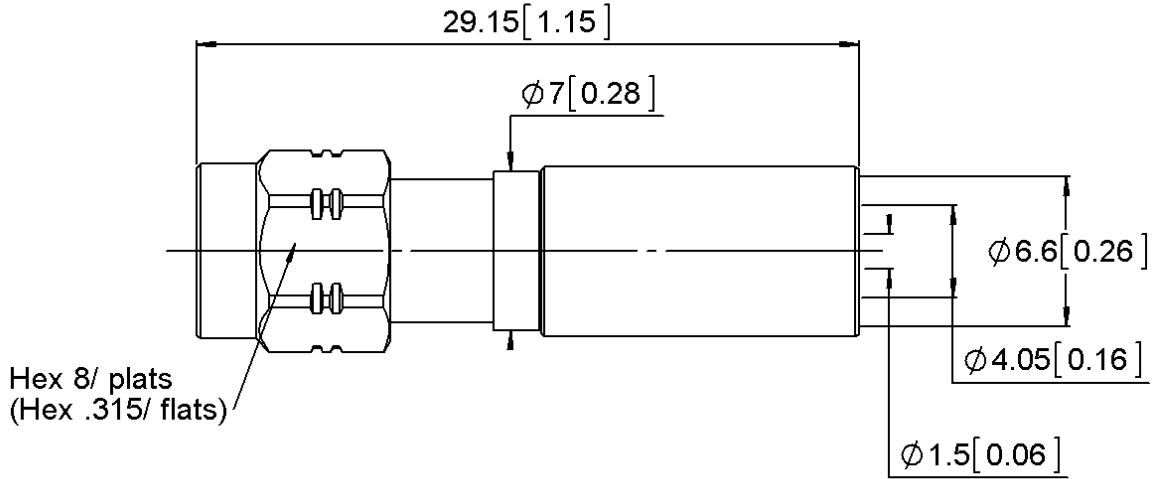
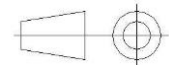


PAGE 1/2	ISSUE 17-11-15B	SERIES SMA-COM	PART NUMBER R124076430
----------	-----------------	----------------	------------------------



All dimensions are in mm.



COMPONENTS	MATERIALS	PLATING (µm)
Body	BRASS.	BBR2
Center contact	BRASS.	GOLD 1.3 OVER NICKEL 2
Outer contact		
Insulator	PTFE	
Gasket	SILICONE RUBBER	
Others parts	BRASS.	NICKEL 2
-	-	-
-	-	-

PAGE 2/2	ISSUE 17-11-15B	SERIES SMA-COM	PART NUMBER R124076430
-----------------	------------------------	-----------------------	-------------------------------

PACKAGING

Standard	Unit	Other
100	Contact us	Contact us

ELECTRICAL CHARACTERISTICS

Impedance	50	Ω
Frequency	0-12.4	GHz
VSWR	1.3 + 0.0000	x F(GHz) Maxi
Insertion loss	0.05	\sqrt{F} (GHz) dB Maxi
RF leakage	- (60)	- F(GHz)) dB Maxi
Voltage rating	335	Veff Maxi
Dielectric withstanding voltage	1000	Veff mini
Insulation resistance	5000	M Ω mini

MECHANICAL CHARACTERISTICS

Center contact retention		
Axial force – Mating End	15	N mini
Axial force – Opposite end	15	N mini
Torque	NA	N.cm mini
Recommended torque		
Mating	60	N.cm
Panel nut	NA	N.cm
Clamp nut	NA	N.cm
A/F clamp nut	0.0000	mm
Mating life	100	Cycles mini
Weight	5.3400	g

ENVIRONMENTAL

Operating temperature	-65/+165	$^{\circ}\text{C}$
Hermetic seal	NA	Atm.cm3/s
Panel leakage	NA	

SPECIFICATION

CABLE ASSEMBLY

Stripping	a	b	c	d	e	f
mm	3.9	7.9	12.7	0	8.8	0

Assembly instruction: **Crimp 01***

Recommended cable(s)

LMR 240
AEP-240FR

Characteristics indicated on this data sheet are those that can be achieved with the highest performance cable. Intrinsic limitations of the cable may diminish the performance of the assembly

Cable retention

- pull off	180	N mini
- torque	-	N.cm

TOOLING

Part Number	Description	Hexagon
R282223000	CRIMPING TOOL	6.48
R282235013	CRIMPING DIES	6.48
R282293000	CRIMPING TOOL M22520/5-01	

OTHER CHARACTERISTICS

***prior to step two of Crimp 01, slide disk insulator onto center conductor, and bottom contact on disk insulator**