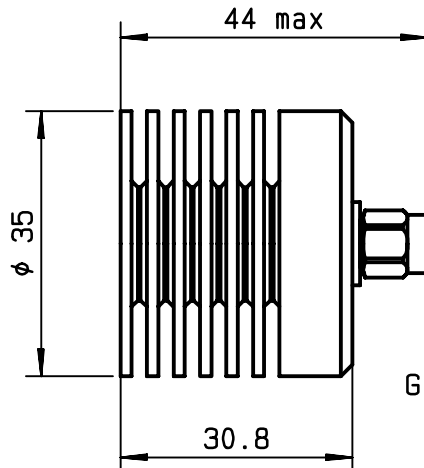


TITLE: 12 W 12.4GHZ SMA/m COAXIAL TERMINATION

LTR. B

DRAWING



General tolerances: +/- 0.5 mm

ELECTRICAL CHARACTERISTICS

FREQUENCY RANGE	: DC - 12.4GHz
IMPEDANCE	: 50 Ohms
DC RESISTANCE	: 50 Ohms ± 5%
AVERAGE POWER HANDLING	: 12 W at 75°C
PEAK POWER HANDLING	: 4 kW (1 μs, 1%.) at 25°C
V.S.W.R :	DC - 4 GHz : ≤ 1.10
	4 - 8 GHz : ≤ 1.20
	8 - 12.4 GHz : ≤ 1.30

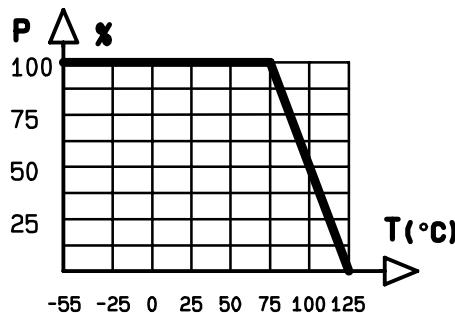
MECHANICAL CHARACTERISTICS

CONNECTOR	: SMA male per MIL C 39012
MAXIMUM WEIGHT	: 62 grams

ENVIRONMENTAL CHARACTERISTICS

OPERATING TEMPERATURE RANGE (°C)	: -55 , +125
STORAGE TEMPERATURE RANGE (°C)	: -55 , +125

Power derating
Versus temperature



Tentative data subject to change without notice

PEN CAT	QUALITY Dpt App.				
PAGE 1 / 1	DATE 25.11.83	NAME DP	LTR	REVISIONS	DATE 22.10.92
					APP. PG